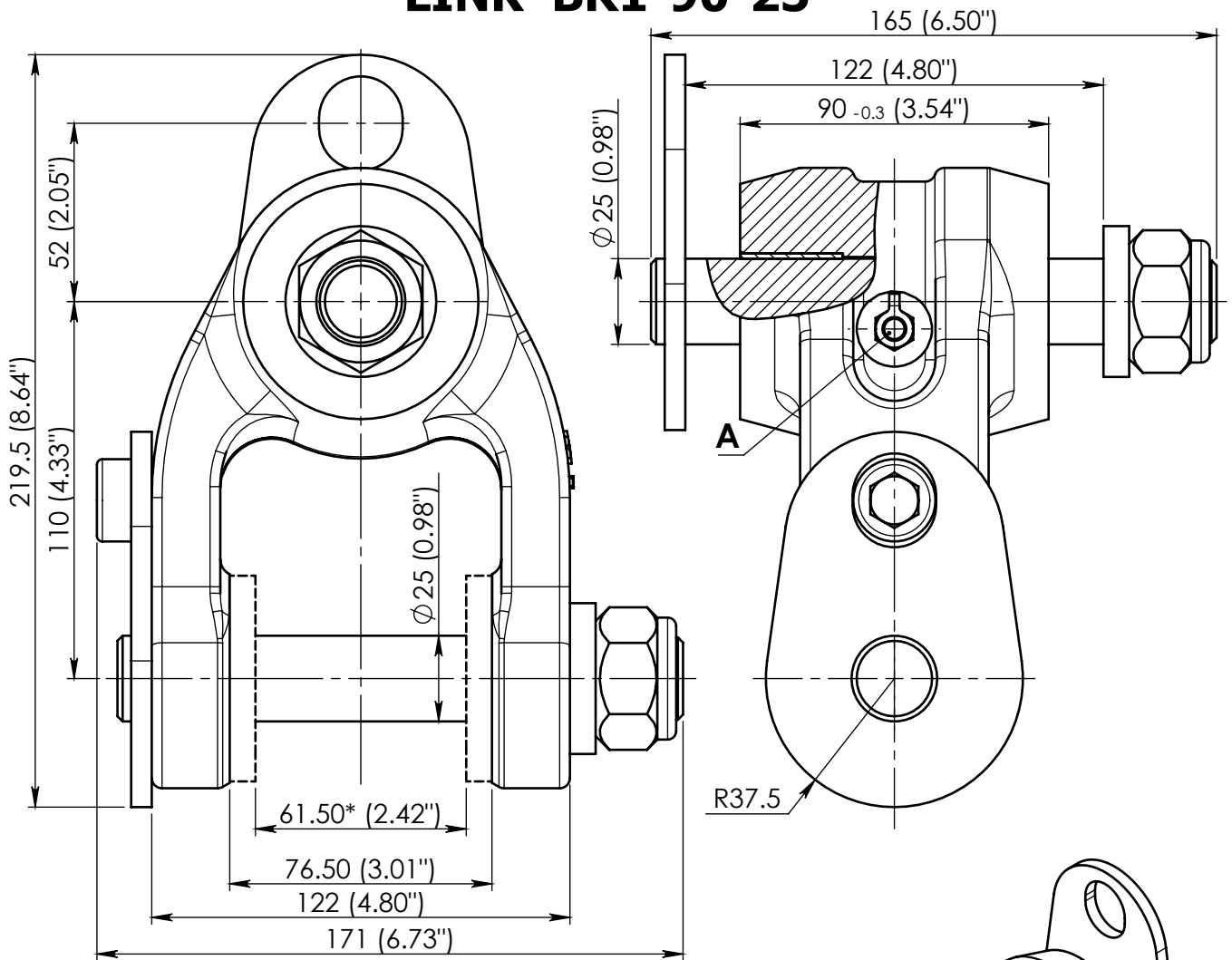
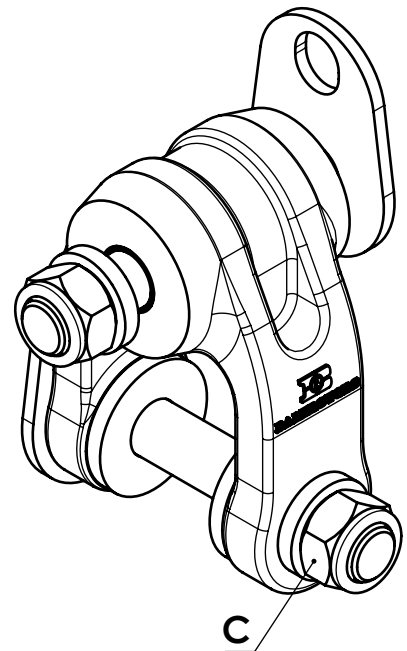


LINK BR1-90-25



* Only by request for rotator GR 30



- Max. Load - 5.5 ton (55 kN)
- Weight - 7.6 kg (16.75 lb)
- Pin locking nut (C) has to be tightened with a torque of 120 Nm (89 lb ft).
- Fill grease Statoil Uniway Li62 (or equivalent) through lubricating nipple (A), until it will appear to the external surfaces. Greasing must be repeated after every 8 working hours of the link.

Sheet 1 of 3

03.05.2017