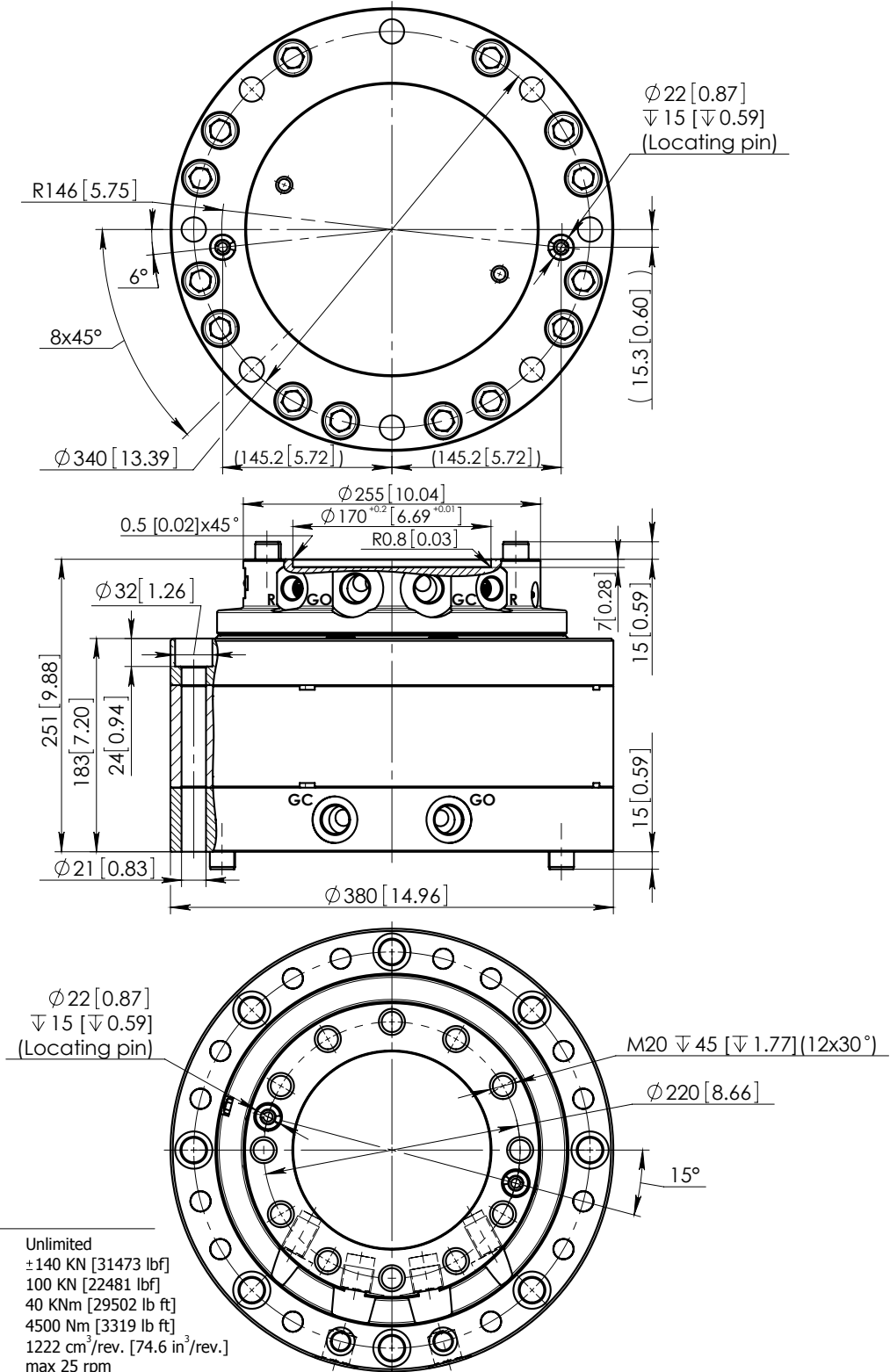


# INDUSTRIAL ROTATOR **CPR14-01** (PATENTED)



## Technical data

Rotation	Unlimited
Max axial load	±140 kN [31473 lbf]
Max radial load	100 kN [22481 lbf]
Moment of deflection	40 kNm [29502 lb ft]
Torque at 25 Mpa	4500 Nm [3319 lb ft]
Rated displacement	1222 cm <sup>3</sup> /rev. [74.6 in <sup>3</sup> /rev.]
Rotation speed	max 25 rpm
Oil duct area for grapple	260 mm <sup>2</sup> [0.403 in <sup>2</sup> ]
Weight	173 kg [381 lb]

Function	Max working pressure	Rec oilflow	Connection
<b>R</b> - rotation	25 MPa [3625 psi] *	35 l/min [9.2 gal(US)/min]	G 1/2
<b>GO</b> - grapple/tool open	35 MPa [5076 psi]		G 3/4
<b>GC</b> - grapple/tool close	35 MPa [5076 psi]		G 3/4

\* Relief valves fitted

**Operating machine**  
e.g. excavator max weight  
Connected via link 29t  
Rigid mounted 21t