

 **FARMA**®

**3-POINT FRAME**

S1.2-2017W26

Original instructions

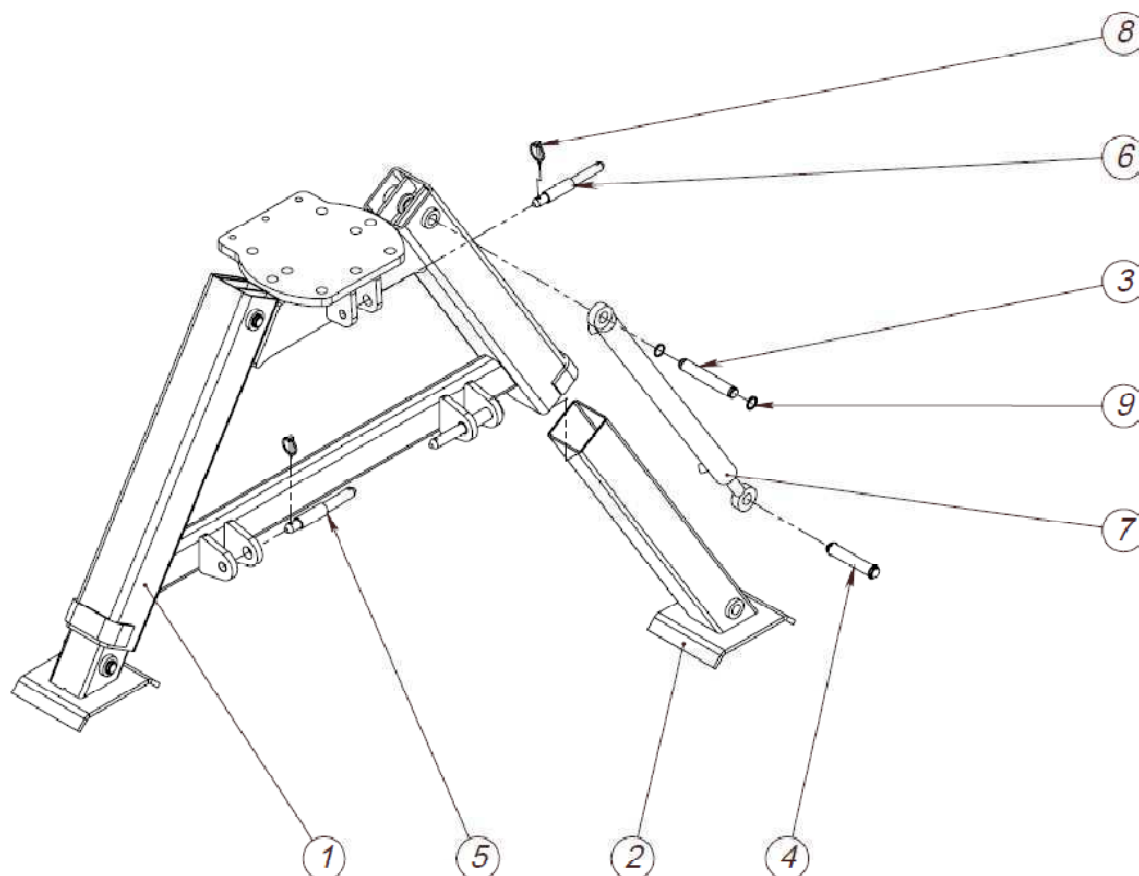
**SPARE PARTS**

# SPARE PARTS

## 3-POINT FRAME

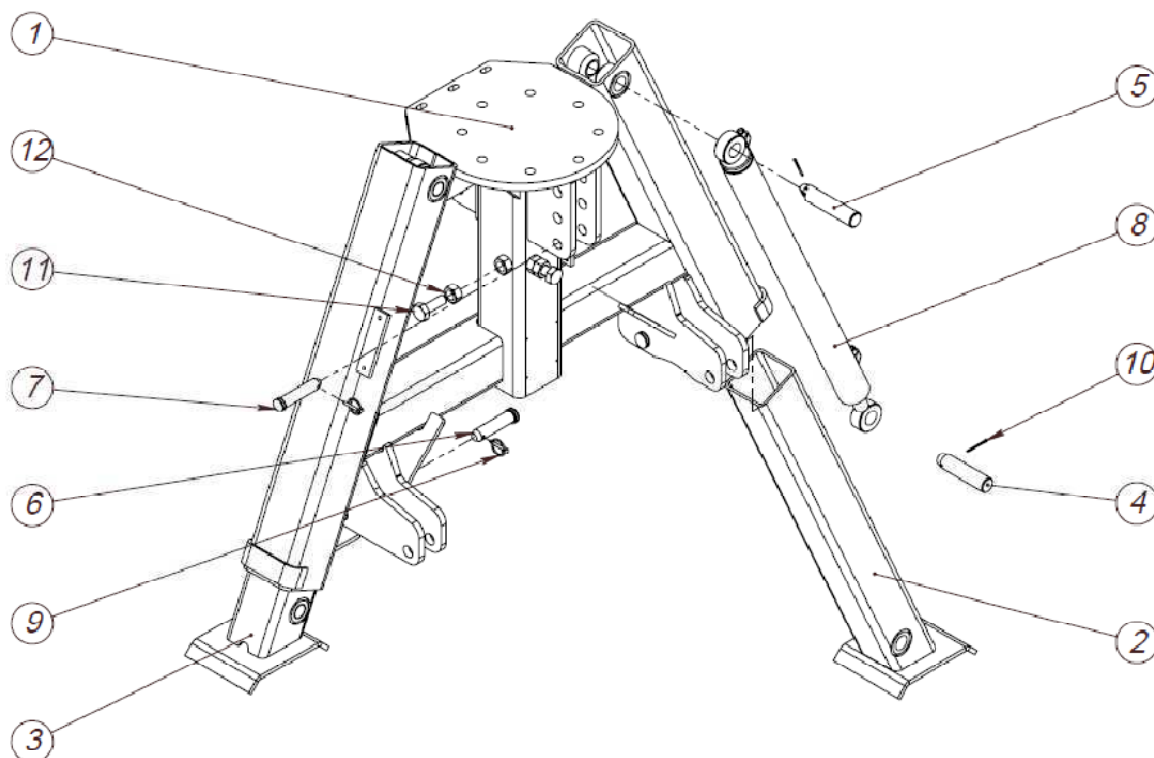
### TABLE OF CONTENTS

1	SPARE PARTS.....	2
1.1	3-POINT FRAME SMALL C3,8-C4,2.....	2
1.2	3-POINT FRAME MIDDLE T9/T10 (C4,6-C6,3) .....	3
1.3	3-POINT FLAP DOWN STABS CAT2/3 ASM.....	4
1.4	STABILIZER LEG 3-POINT .....	5
2	HYDRAULIC SCHEMES.....	6
2.1	3-POINT FRAME SMALL C3,8-C4,2.....	6
2.2	3-POINT FRAME MIDDLE C4,6-C6,3.....	7
2.3	3-POINT FLAP DOWN STABS CAT2/3 .....	8
3	MAIN DIMENSIONS .....	9
3.1	3-POINT FRAME SMALL C3,8-C4,2.....	9
3.2	3-POINT FRAME MIDDLE T9/T10 (C4,6-C6,3) .....	9
3.3	3-POINT FLAP DOWN STABS CAT2/3 .....	10

**1 SPARE PARTS**
**1.1 3-POINT FRAME SMALL C3,8-C4,2**

**REF: 141204**
**Main parts, 3-point frame small for cranes C3,8-C4,2 (FMWA00285)**

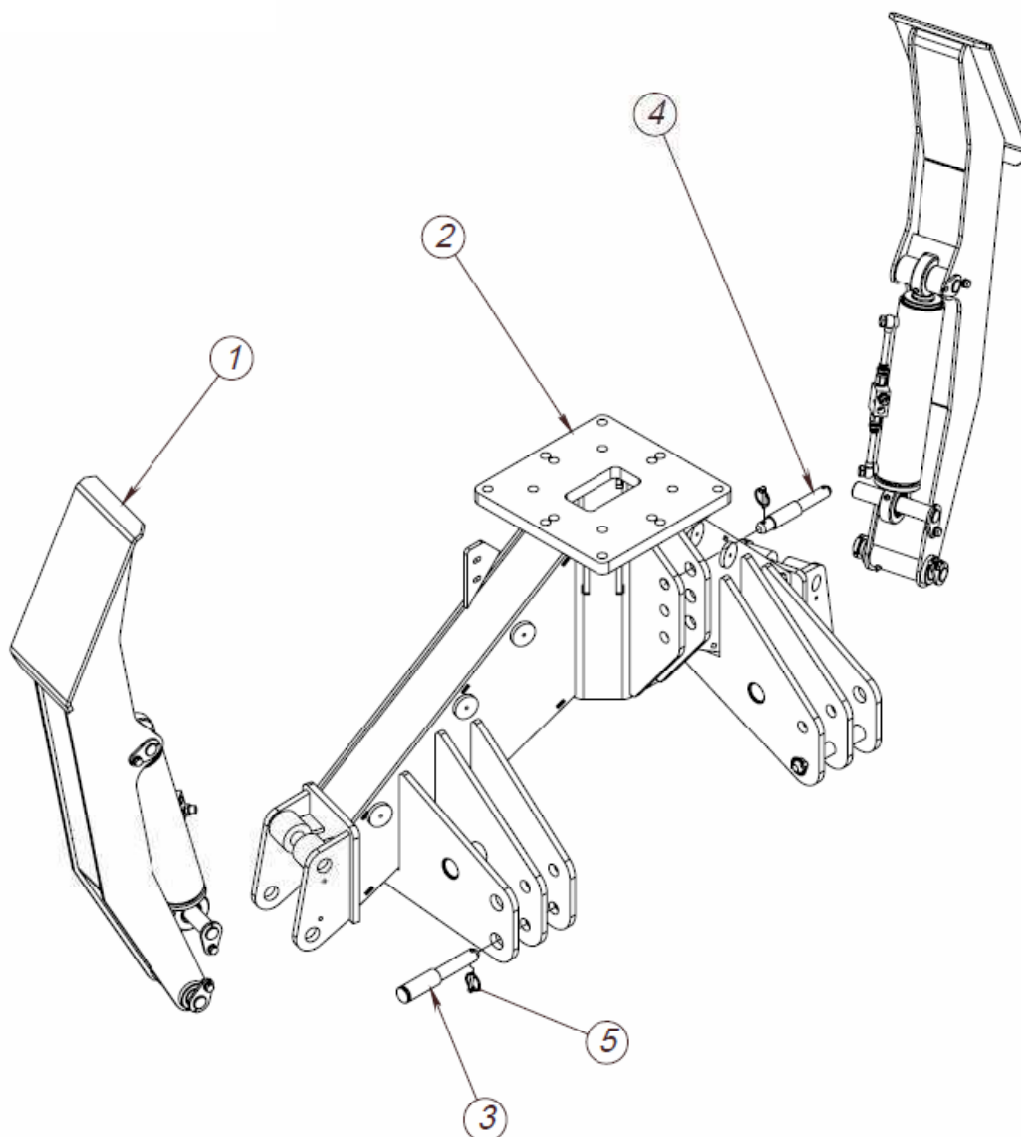
ITEM NO.	PART NUMBER	DESCRIPTION	TYPE	QTY.
1	FMWS00733	Frame		1
2	FMWS00735	Stabilizer Leg		2
3	FMWP04111	Pin	Grnd25-160	2
4	FMWP04111-01	Pin	Grnd25-140	2
5	FMWP04028-01	Pin	GrndØ30-208	2
6	FMWP04030-01	Pin	RNDØ28-208	1
7	913225	Hydraulic cylinder	40/25-600	2
8	920230	Pin Linch	6x32x45 DIN 11024	3
9	911255	Lock ring	DIN 471 - 25x1,2	8

**REF: 141204**

**1.2 3-POINT FRAME MIDDLE T9/T10 (C4,6-C6,3)**

**REF: 150604**
**Main parts, 3-point frame for cranes C4,6-C6,3 and trailers T9-T10 (FMWA00098)**

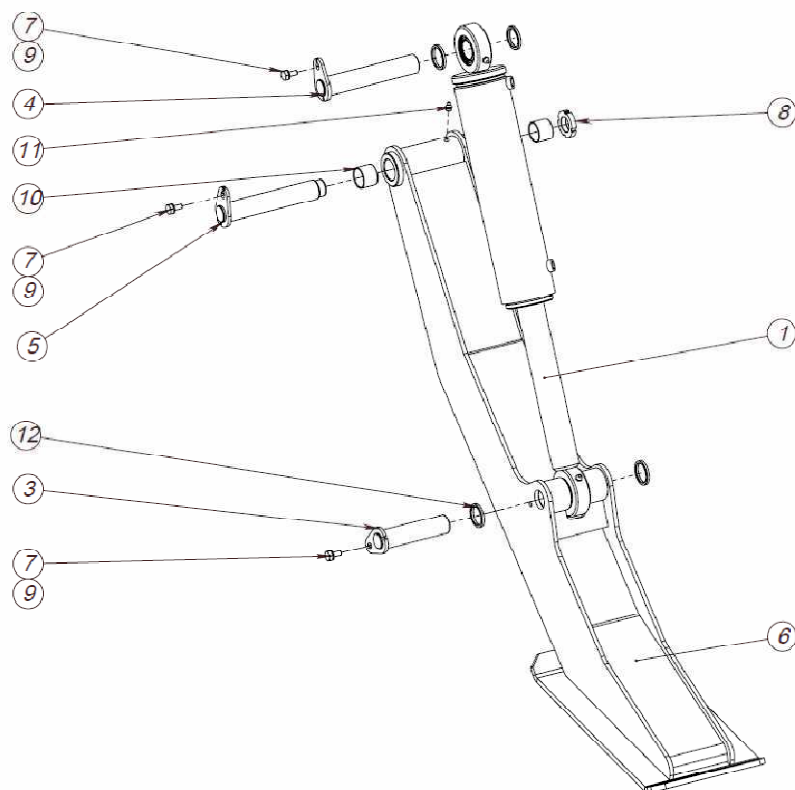
ITEM NO.	PART NUMBER	DESCRIPTION	TYPE	QTY.
1	FMWS00002	3-Point frame		1
2	FMWS00003	Stabilizer Leg T9 Right		1
3	FMWS00003-010	Stabilizer Leg T9 Left		1
4	FMWP00001-010	Pin	GrndØ35h9 - 145	2
5	FMWP00001-050	Pin	GrndØ35h9 - 165	2
6	FMWP04028	Pin	GRNDØ35-122	2
7	FMWP04030	Pin	GRNDØ30-127	1
8	313117	Hydraulic cylinder	50/32-800	2
-	37913230	Sealing kit Hydr cyl	50/32	-
9	920230	Pin Linch	6x32x45 DIN 11024	3
10	908110	Pin Split	4x50 DIN 94	4
11	906255	Bolt Hex. Cap	M24x60 fzb DIN 933	2
12	907255	Nut Hex.	M24 fzb DIN 934	2

**REF: 150604**

**1.3 3-POINT FLAP DOWN STABS CAT2/3 ASM**

**REF: 170510**
**Main parts, 3-point flap down stabs CAT2/3 ASM (FMWA00390)**

ITEM NO.	PART NUMBER	DESCRIPTION	TYPE	QTY.
1	FMWA00228	Stabilizer leg T10-T14 G2		2
2	FMWS00897	3-point frame	C5,3/6,3/C7,0/C8,5	1
3	FMWP04028-03	Pin	GrndØ40-224	2
4	FMWP04030-03	Pin	GRNDØ35-210	1
5	920230	Pin Linch	6x32x45 DIN11023	3

**REF: 170510**

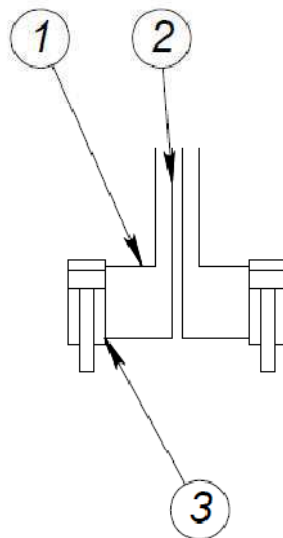
**1.4 STABILIZER LEG 3-POINT**

**REF: 170510**
**Stabilizer leg 3-point ASM (FMWA00228)**

ITEM NO.	PART NO.	DESCRIPTION	TYPE	Left-QTY.	Right-QTY.
1	313135	Hydraulic cylinder left	90/50 - 300	1	-
1	313134	Hydraulic cylinder right	90/50 - 300	-	1
-	3731309050	Sealing kit 90/50	-	-	-
3	FMWS00427	Shaft compl.	GrndØ35h9 - 145 (136)	1	1
4	FMWS00427-02	Shaft compl.	GrndØ35h9 - 201(192)	1	1
5	FMWS00429	Shaft compl.	GrndØ35h9 - 217(192)	1	1
6	FMWA00228	Stabilizer leg	Slide bear. grease nipples inc.	1	1
7	906170	Bolt Hex. Cap	M10x20 fzb DIN 933	3	3
8	907550	Nut Lock/Round	M30x1,5 N DIN 1804	1	1
9	908620	Washer Spring	M10 fzb DIN 127	3	3
10	909145	Slide Bearing	35-39-30 P DIN 1494	2	2
11	930105	Lubricating nipple	1/8 " BSP DIN 71412	1	1
12	FMWP00083-01	Ring	STØ42,3x3,4 - 12	4	4

**REF: 170510**

## 2 HYDRAULIC SCHEMES

### 2.1 3-POINT FRAME SMALL C3,8-C4,2



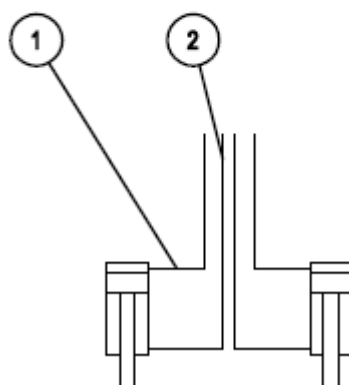
REF: 141204

#### Hydraulic scheme, 3-point frame for cranes C3,8-C4,2 (FMWH00032)

ITEM NO.	PART NO.	DESCRIPTION	TYPE	QTY.
1	FMWH00498	H-hose	42010404-1/4"(2100)-42010404	2
2	FMWH00499	H-hose	42010404-1/4"(2740)-42010404	2
3	914764	Angle nipple	7210-04-0 4	4

REF: 141204

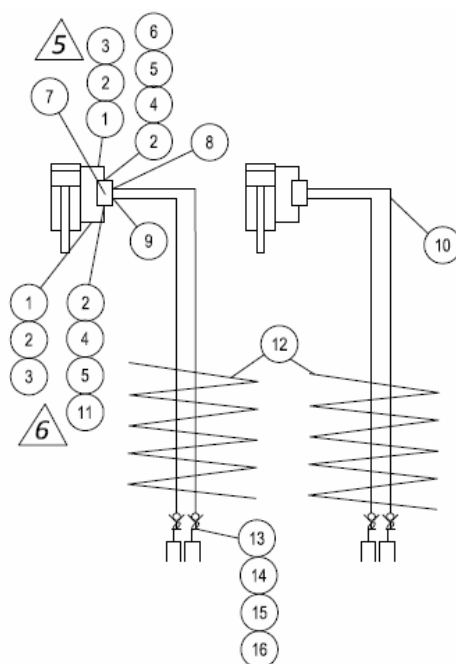
## 2.2 3-POINT FRAME MIDDLE C4,6-C6,3

 3-point T9  
 Farma T9/T10

**REF: 141204**
**Hydraulic scheme, 3-point frame for cranes C4,6 – C6,3 and trailers T9-T10 (FMWH00002-01)**

ITEM NO.	PART NO.	DESCRIPTION	TYPE	QTY.
1	FMWH00200	H-hose	42010604-1/4"(3330)-42010404	2
2	FMWH00201	H-hose	42010604-1/4"(2500)-42010404	2

**REF: 141204**



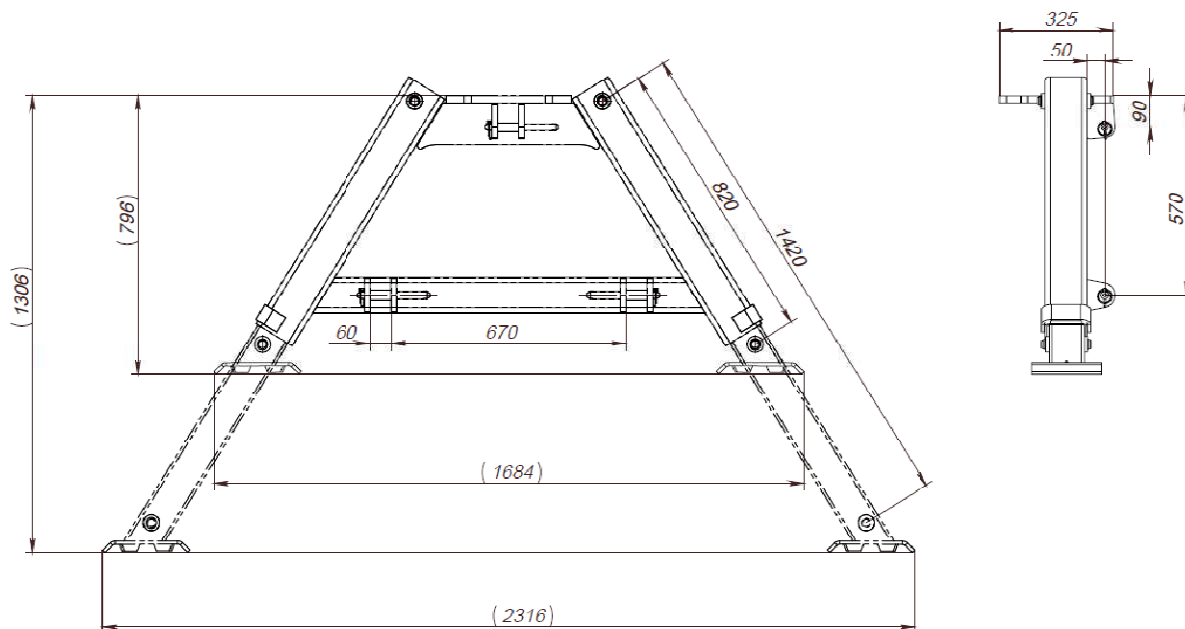
**2.3 3-POINT FLAP DOWN STABS CAT2/3**

**REF: 170510**
**Hydraulic scheme, 3-point flap down stabs CAT2/3 (FMWH00018-07)**

ITEM NO.	PART NO.	DESCRIPTION	TYPE	QTY.
1	914284	Banjo pipe	09R1210 L=106	4
2	914582	Rubber seal	3/8" 5601-01-06	16
3	914441	Banjo bolt	4280-01-06; 3/8"	4
4	914301	Straight fit	6003-12-07; GE12L-3/8	2
5	914306	Cutting ring	B12 L/S 6149-01-12; d12	4
6	914304	Nut M12L	6150-00-12; d12	4
7	915147-1	Hyd lock	VBD-38-SF	2
8	914750	Cartridge nipple	7090-06-06 G3/8"UFxG3/8"UR	2
9	914716	Straight nipple	7002-06-06 G3/8"UFxG3/8"UF	2
10	FMWH00725	H-hose	42030406-1/4(3500)-42010404	4
11	FMWP05791	Nipple machining	6003-12-07; GE12L-3/8	2
12	930320	Spiro PIPE	dia. 32 x 3 mm yellow	1m
13	914714	Straight nipple	7002-04-08; G1/4"UFxG1/2"UF	4
14	914584	Rubber seal	5601-01-08; R1/2"	4
15	914570	Bayonet coupling	5550-02-08; M 1/2"	4
16	914573	Dust cover	5551-05-08; F 1/2"	4
17	914552	Clip compl.	5343-02-14, 14mm	6

**REF: 170510**

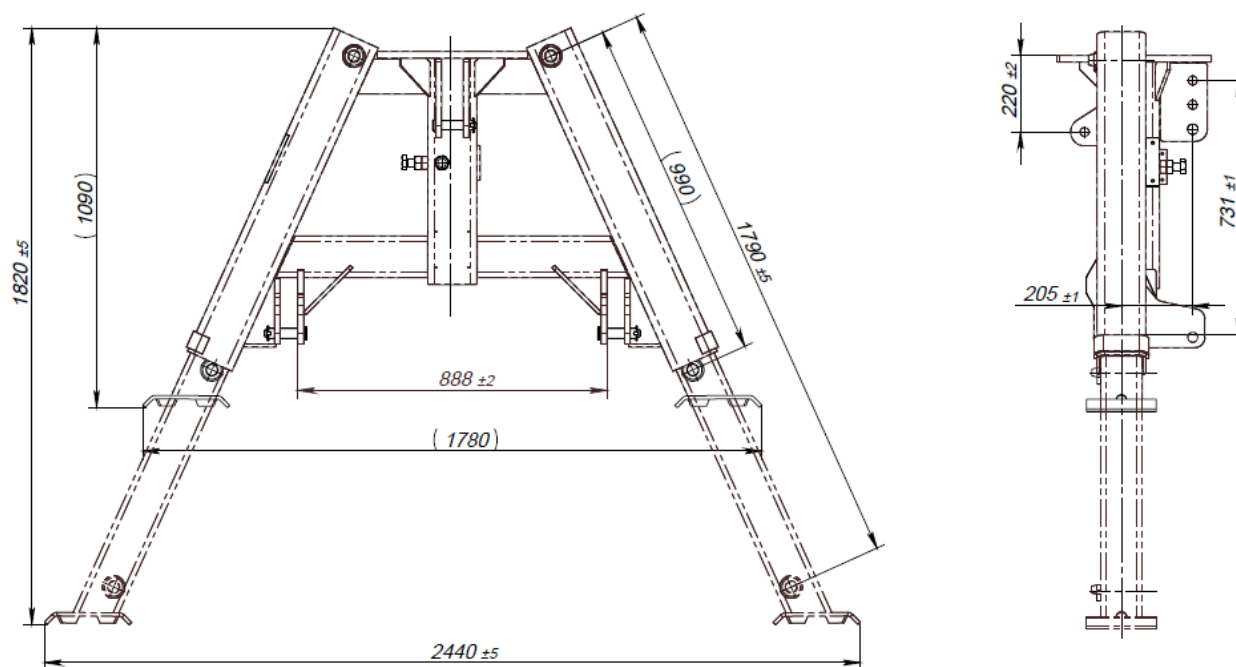
**3 MAIN DIMENSIONS**

**3.1 3-POINT FRAME SMALL C3,8-C4,2**



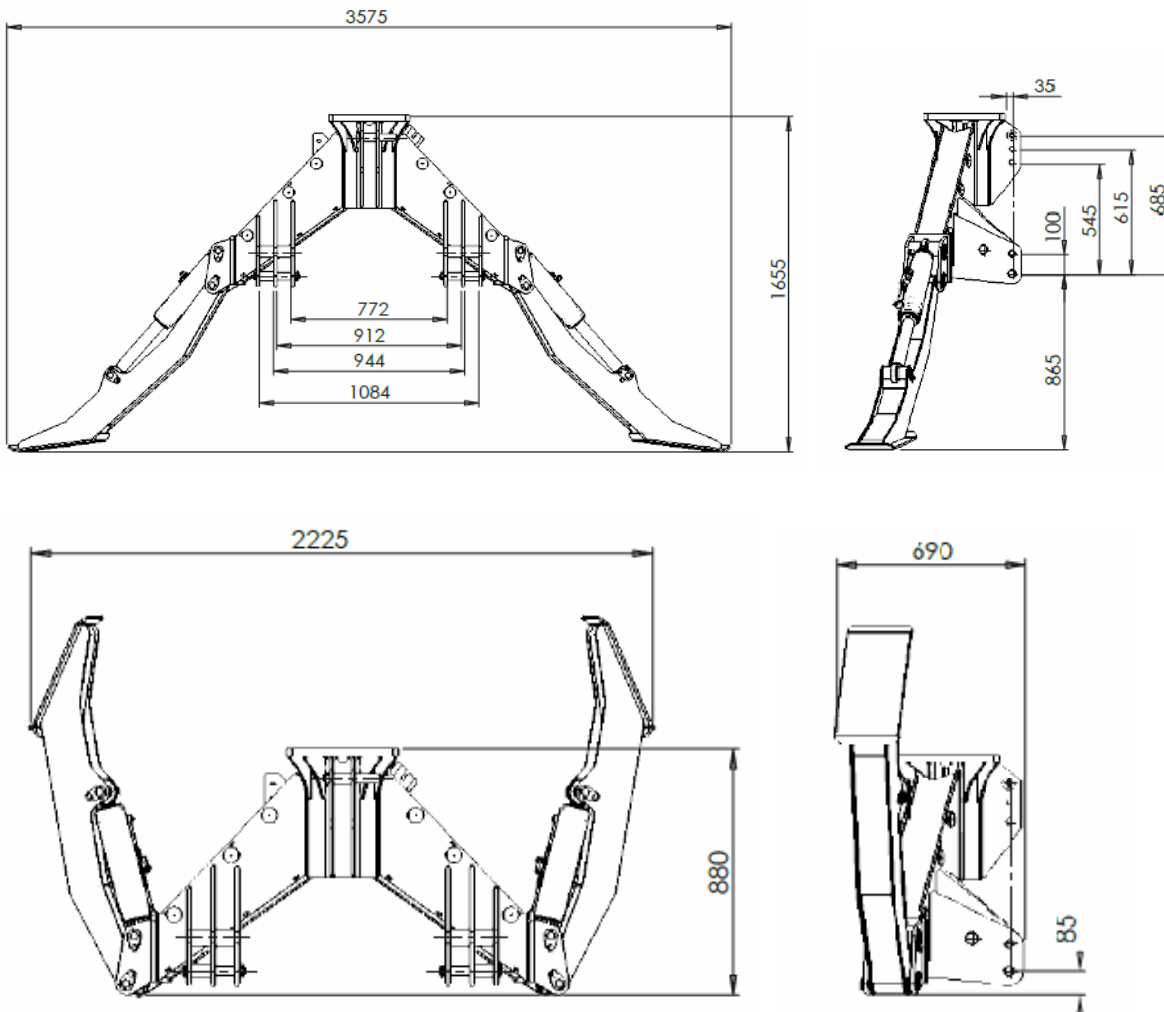
**REF: 141204**

**3.2 3-POINT FRAME MIDDLE T9/T10 (C4,6-C6,3)**



**REF: 141204**

3.3 3-POINT FLAP DOWN STABS CAT2/3



REF: 170510