



FARMA®

**ENERGY CUTTER
BC18**

EN_S1.2-2019W18

Original instruction

SPARE PARTS

SPARE PARTS

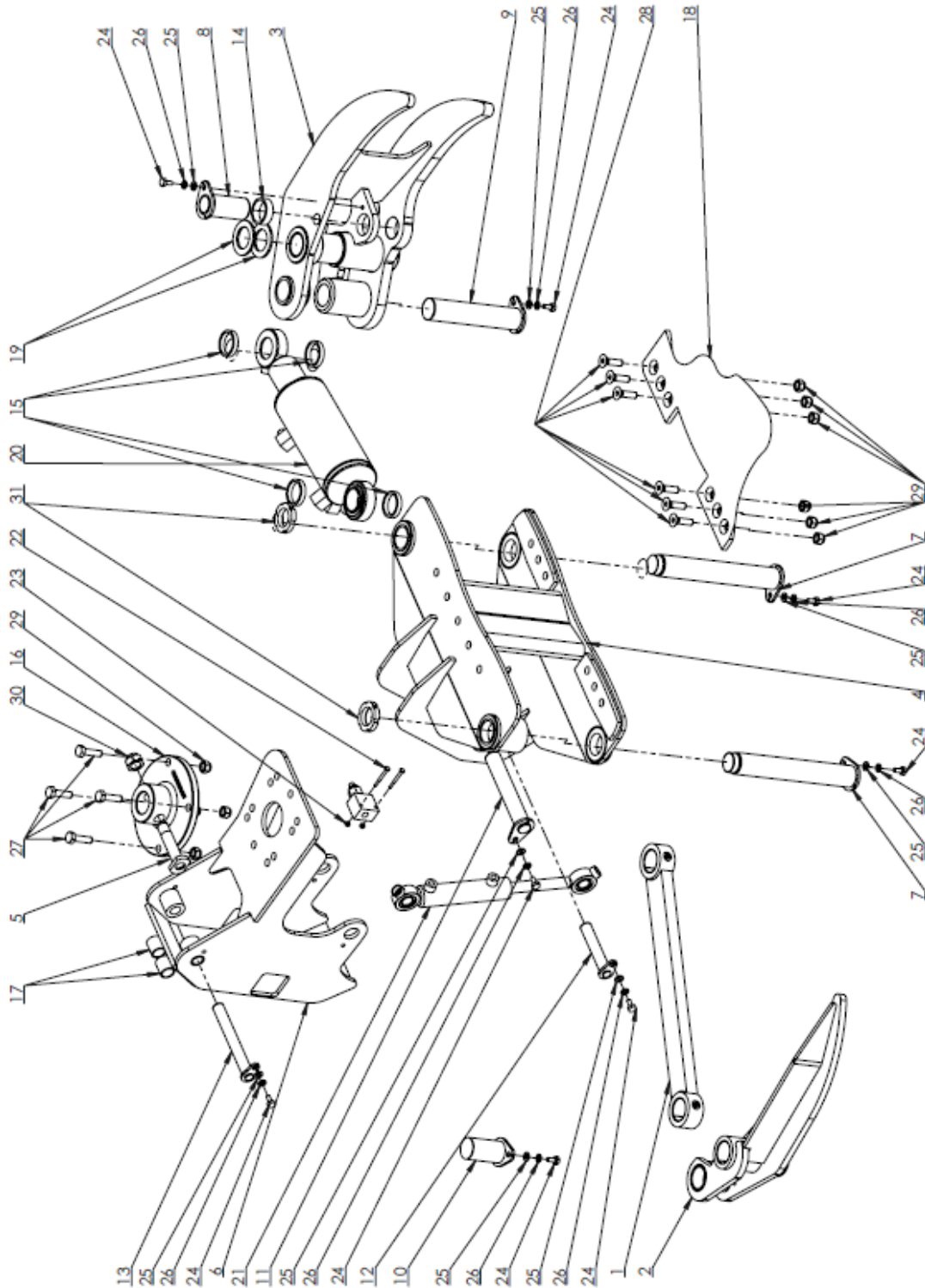
BC18

TABLE OF CONTENTS

1	SPARE PARTS	2
1.1	MAIN PARTS, FARMA BC18	2
1.2	LINK	4
1.3	JAW OUTER	5
1.4	JAW MIDDLE	6
1.5	YOKE	7
2	TECHNICAL SPECIFICATION	8
2.1	DIMENSIONS	8
2.2	TECHNICAL DATA	8
2.3	LUBRICATION	9

1 SPARE PARTS

1.1 MAIN PARTS, FARMA BC18

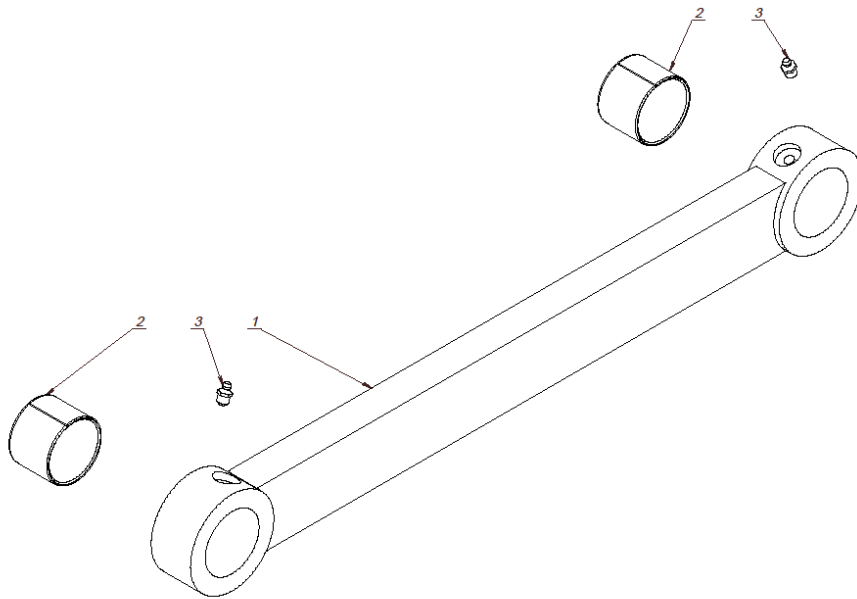


REF: 160608

FARMA BC18 100205

ITEM NO.	PART NUMBER	DESCRIPTION	TYPE	QTY.
1	FMWA00155	Link BC18 ASM		1
2	FMWA00156	Jaw middle BC18 ASM		1
3	FMWA00157	Jaw outer BC18 ASM		1
4	FMWA00158	Yoke BC18 ASM		1
5	FMWS00254	Fork bolt	-	1
6	FMWS00442	Rotator-Tilt console BC18	-	1
7	FMWS00447	Shaft	GRND50 - 346(318)	2
8	FMWS00448	Shaft	GRND50 - 109(102)	1
9	FMWS00448-01	Shaft	GRND50 - 251(240)	1
10	FMWS00448-02	Shaft	GRND50 - 100(89)	1
11	FMWS00449	Shaft	GrndØ35-225(214)	1
12	FMWS00591-07	Shaft	GrndØ25h9 - 149(140)	1
13	FMWS00591-08	Shaft	GrndØ25h9 - 219(210)	1
14	FMWP00596-01	Shim	ST60x5 - 18	1
15	FMWP00596-08	Shim	ST60x5 - 11	4
16	FMWP00483	Flange	D230 Hole ID49,5	1
17	FMWP02288	Bush	ST33,5X3,2 - 37	2
18	FMWP02293-06	Knife blade	PLT12 - 570x317	1
19	FMWP02884	Washer	PLT5 - 80x80	2
20	313162	Hydraulic cylinder	110/70 - 145	1
	3731311070	Sealing kit 110/70		1
21	313121	Hydraulic cylinder	40/25 - 120	1
	37913215	Sealing kit 40/25		1
22	9061415	Bolt Hex. Cap	M6x55 DIN 931	2
23	907210	Nut Hex. Nylock	M6 fzb DIN 985	2
24	906170	Bolt Hex. Cap	M10x20 fzb DIN 933	8
25	908225	Washer flat	M10 fzb DIN 125	8
26	908620	Washer Spring	M10 fzb DIN 127	8
27	906228	Bolt Hex. Cap	M16x50 fzb DIN 933	4
28	906515	Bolt Hex. Socket	M16x50 fzb DIN 7991	6
29	907237	Nut Hex. Nylock	M16 fzb DIN 985	10
30	907252	Nut Hex. Nylock	M24 DIN 985	1
31	907251	Nut Lock/Round	M45x1,5 N DIN 1804	2

REF: 160608

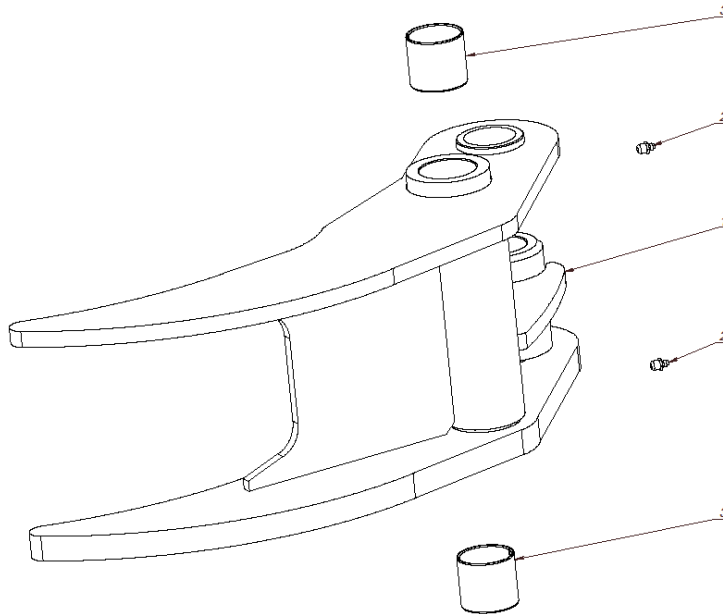
Original instruction
1.2 LINK

REF: 171201
Link BC18 ASM FMWA00155

ITEM NO.	PART NUMBER	DESCRIPTION	TYPE	QTY.
1	FMWS00443	Link BC18		1
2	909150	Slide Bearing	50 55 40 P DIN 1494	2
3	930105	Grease nipple	1/8 " DIN 71412	2

REF: 171201

Original instruction

1.3 JAW OUTER



REF: 171201

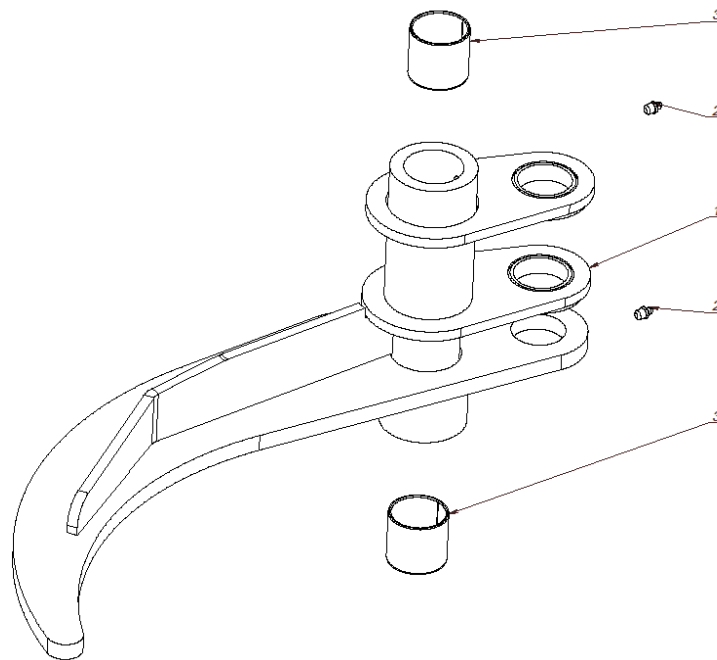
Jaw outer BC18 ASM FMWA00157

ITEM NO.	PART NUMBER	DESCRIPTION	TYPE	QTY.
1	FMWS00446	Jaw outer BC18		1
2	930105	Grease nipple	1/8 " DIN 71412	3
3	909152	Slide Bearing	50 55 50 P DIN 1494	3

REF: 171201

Original instruction

1.4 JAW MIDDLE



REF: 171201

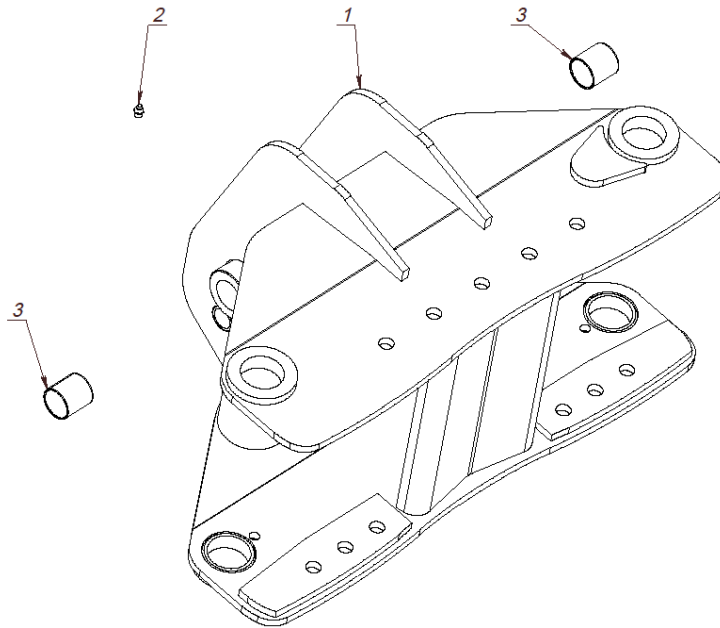
Jaw middle BC18 ASM FMWA00156

ITEM NO.	PART NUMBER	DESCRIPTION	TYPE	QTY.
1	FMWS00444	Jaw middle BC18		1
2	930105	Grease nipple	1/8 " DIN 71412	2
3	909152	Slide Bearing	50 55 50 P DIN 1494	2

REF: 171201

Original instruction

1.5 YOKE



REF: 171201

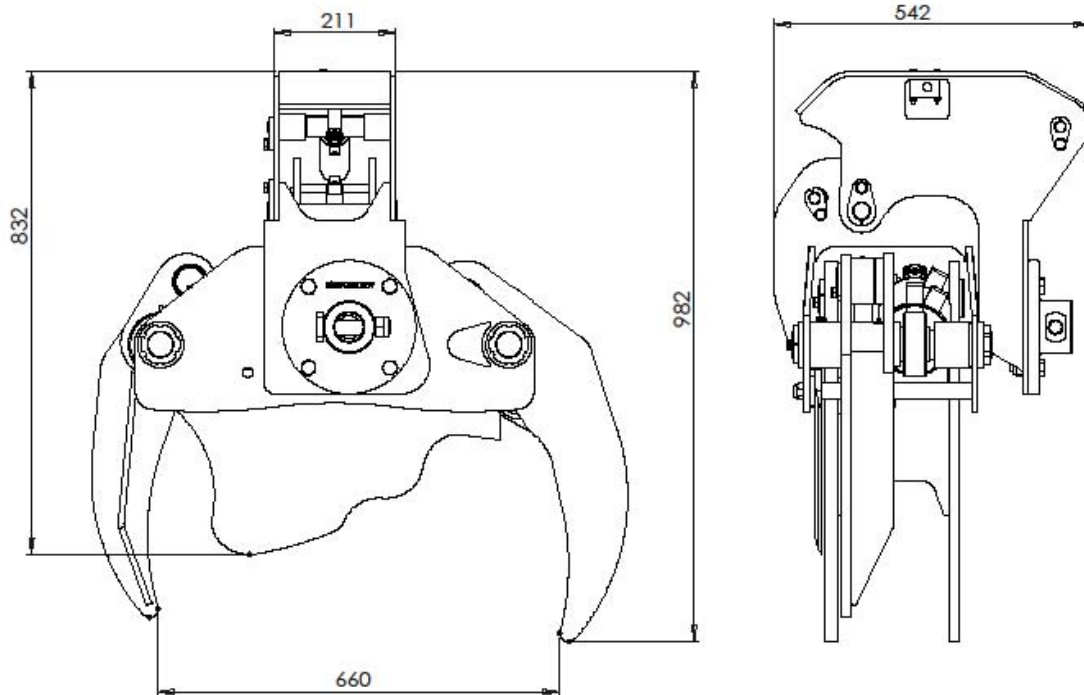
Yoke BC18 ASM FMWA00158

ITEM NO.	PART NUMBER	DESCRIPTION	TYPE	QTY.
1	FMWS00441	Yoke BC18		1
2	930105	Grease nipple	1/8 " DIN 71412	1
3	909146	Slide Bearing	35 39 40 P DIN 71412	2

REF: 171201

2 TECHNICAL SPECIFICATION

2.1 DIMENSIONS



2.2 TECHNICAL DATA

Max. cutting diameter (mm*)	180
Max. grapple opening (mm)	660
Max. height (mm)	542
Max. pressure (MPa)	19.0
Recommended oil flow (l/min *)	40-60
Tilt angle	90
Weight (Kg)	190

2.3 LUBRICATION

