



FARMA®

T9

T9 4WD

T10

T10 4WD

EN_S1.2-2017W12

Original instructions

SPARE PARTS

SPARE PARTS

T9/T10

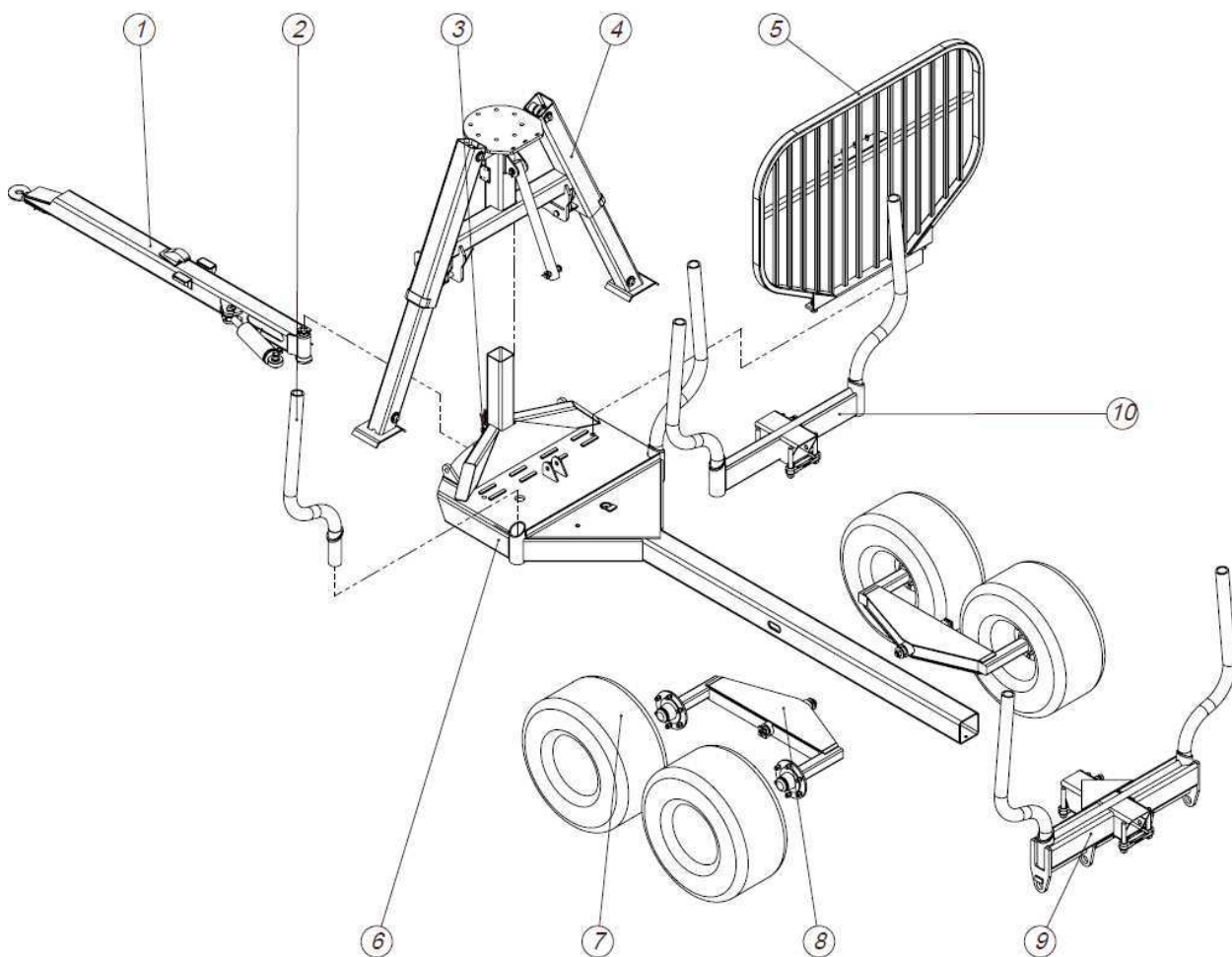
TABLE OF CONTENTS

1	SPARE PARTS	2
1.1	MAIN PARTS, FARMA T9 -T10, T9 - T10 4WD	2
1.1.1	DRAWBAR.....	9
1.1.2	THREE-POINT FRAME	10
1.1.3	RAILING.....	12
1.1.4	BOGIES.....	13
1.1.5	WHEEL SUPPORT	17
1.1.6	SLIDING SUPPORT T9.....	19
1.1.7	STUBAXLE	20
1.2	HYDRAULIC SCHEMES.....	21
1.2.1	THREE-POINT FRAME	21
1.2.2	STEERABLE DRAWBAR.....	22
1.2.3	T9/T10 4WD	24
2	TECHNICAL SPECIFICATIONS	26
2.1	TECHNICAL DATA.....	26
2.2	MAIN DIMENSIONS	27
3	EC DECLARATION OF CONFORMITY (SAMPLE)	31

1 SPARE PARTS

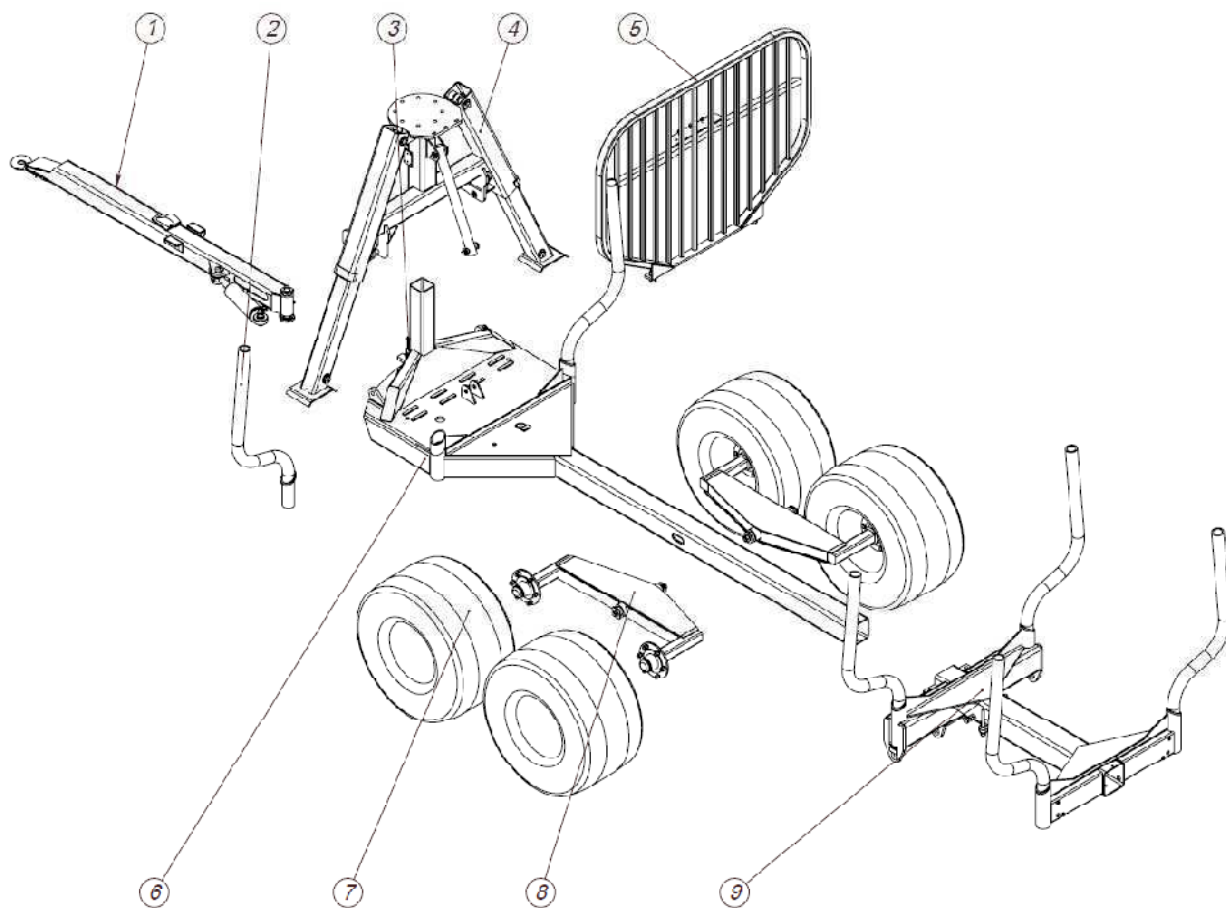
1.1 MAIN PARTS, FARMA T9 -T10, T9 - T10 4WD

FARMA T9



REF: 141203

FARMA T10



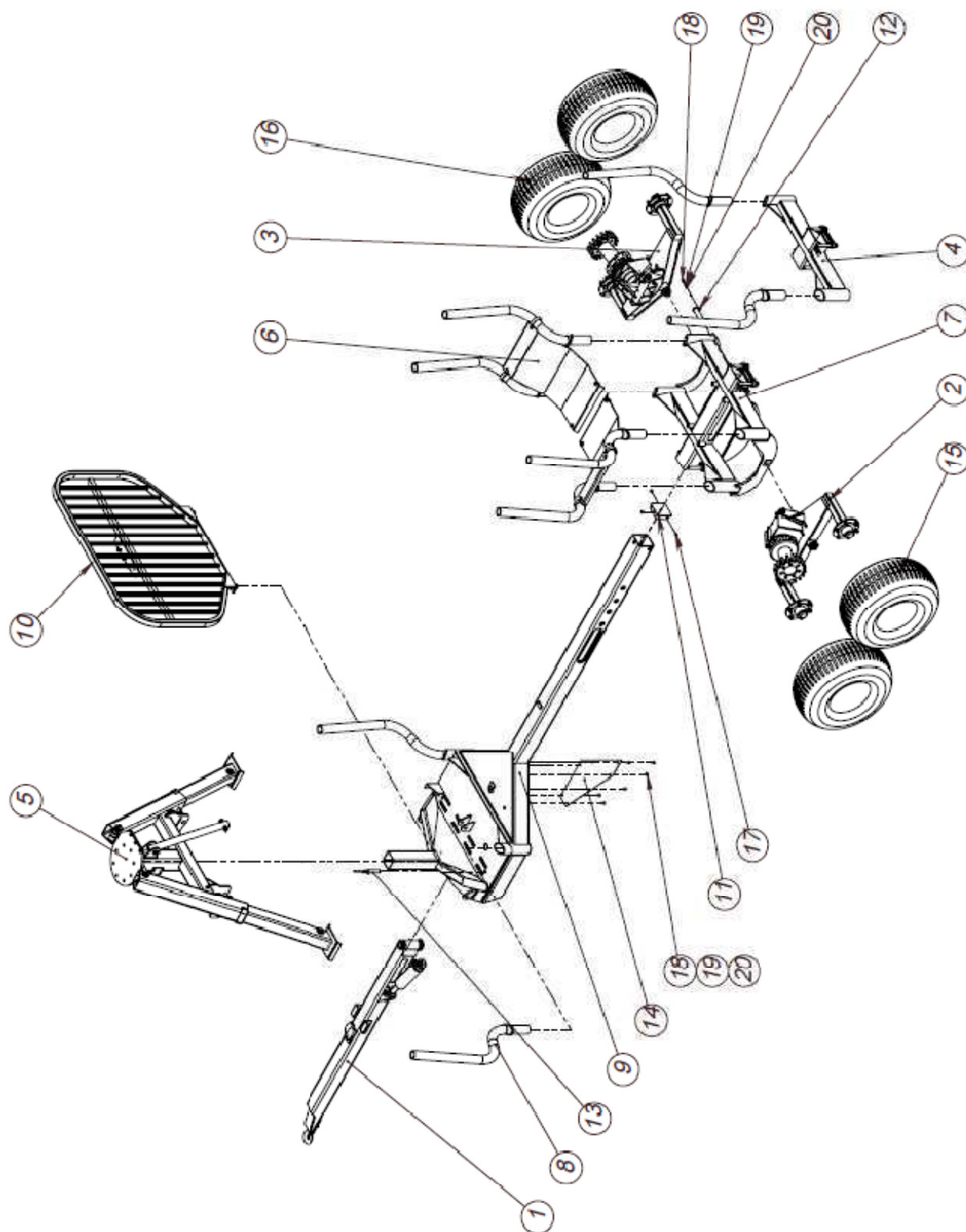
REF: 141203

Main parts, T9-T10

ITEM NO.	PART NUMBER	DESCRIPTION	TYPE	T9 QTY.	T10 QTY.
1	FMWA00069	Drawbar T9-T14 ASM	-	1	1
2	FMWS00009	B-post T7/T8/T9		6	6
3	FMWS00745	Parking leg shaft	d25-120 (117)	2	2
4	FMWA00098	3-Point T9/T10 ASM		1	1
5	FMWS00560	Railing T7/T8/T9		1	1
6	FMWS00014	Chassis frame T9		1	-
6	FMWS00014	Chassis frame T9	T10	-	1
7	916515	Wheel	400/60-15,5	4	-
7	916529	Wheel	500/50-17	-	4
8	FMWA00074	Bogie side T7-T9/B-7; B-10		2	-
8	FMWA00075	Bogie T10/T12 ASM		-	2
9	FMWA00096	Wheel support T9 ASM		1	-
9	FMWA00308	Wheels support T10/T12 ASM		-	1
10	FMWA00097	Sliding support T9 ASM		1	-

REF: 141203

FARMA T9 4WD



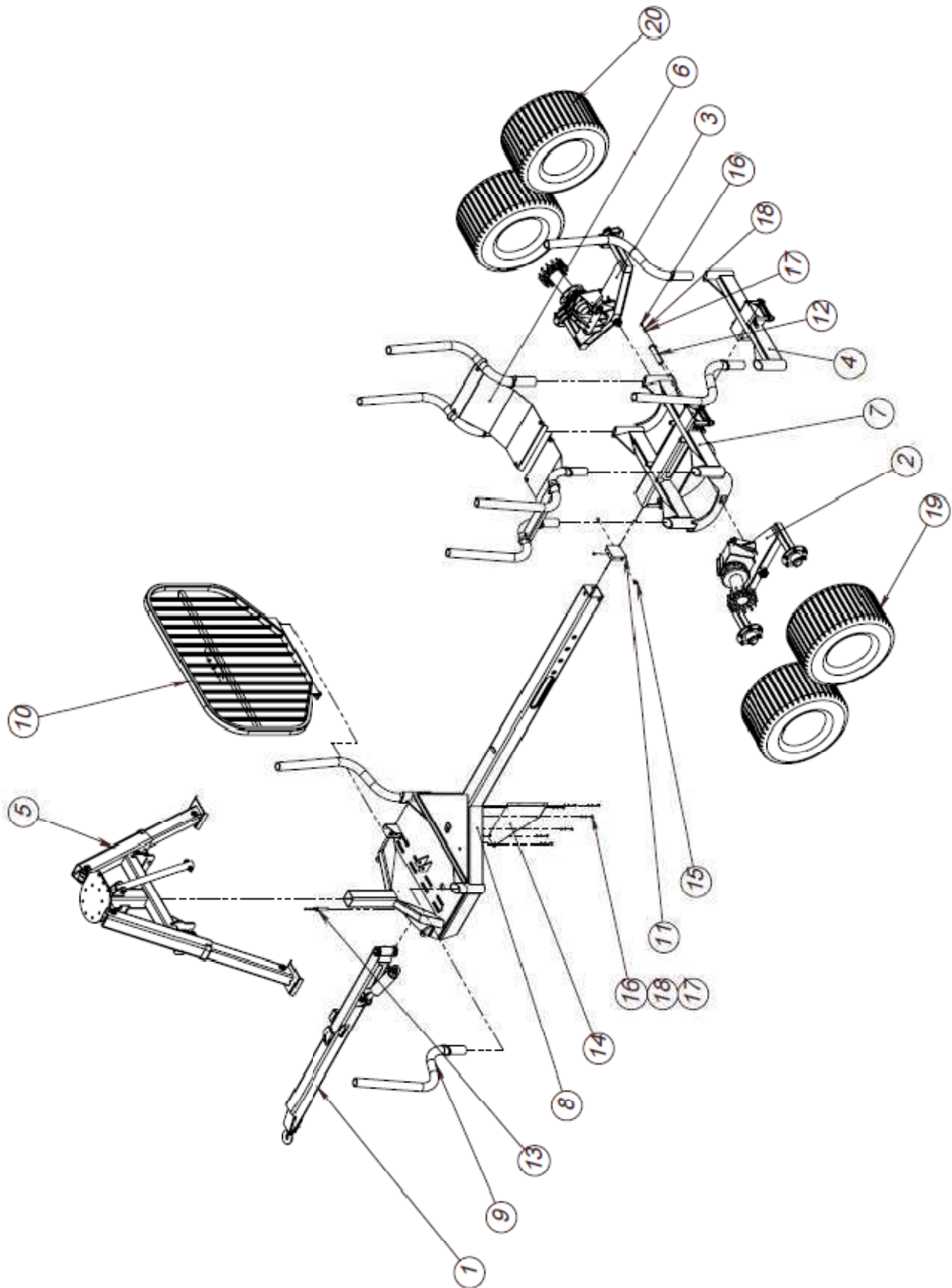
REF: 151008

Main parts, T9 4WD

ITEM NO.	PART NUMBER	DESCRIPTION	TYPE	QTY.
1	FMWA00069	Drawbar T9-T14 ASM	-	1
2	FMWA00074-120	Bogie side T7-T9/B-7; B-10	T9 4WD Left	1
3	FMWA00074-121	Bogie side T7-T9/B-7; B-10	T9 4WD Right	1
4	FMWA00097-01	Sliding support T9 ASM		1
5	FMWA00098	3-Point T9/T10 ASM		1
6	FMWA00311	Bogie cover T14G1		2
7	FMWA00383	Wheels support T9/T10 4WD ASM		1
8	FMWS00009	B-post T7/T8/T9		8
9	FMWS00014-040	Chassis Farma T9		1
10	FMWS00560	Railing T7-T10		1
11	FMWS00775-01	Cover		1
12	FMWS00888	Shaft	GRND40 - 220 (209)	1
13	1215-070430.000	Parking Leg shaft	7-10 - 12-15 G1	2
14	FMWP01412-01	Plate	PLT4 - 400x364	1
15	916525L	Wheel	400/60-15,5	2
16	916525R	Wheel	400/60-15,5	2
17	906188	Bolt Hex. Socket	M12x20 fzb DIN 7991	3
18	906173	Bolt Hex. Cap	M10x25 fzb DIN 933	8
19	908620	Washer Spring	M10 fzb DIN 127	8
20	908225	Washer flat	M10 fzb DIN 125	8
21	FMWH00002-01	Hyd. scheme T9	3-point T9/T10	1
22	FMWH00002-02	Hyd. scheme T9	Steering draw bar T9/T10	1
23	FMWH00002-09	Hyd. scheme T9	T9/T10 4WD	1
24	FMWA00397-04	Label set Farma	T9 4WD	1

REF: 151008

FARMA T10 4WD

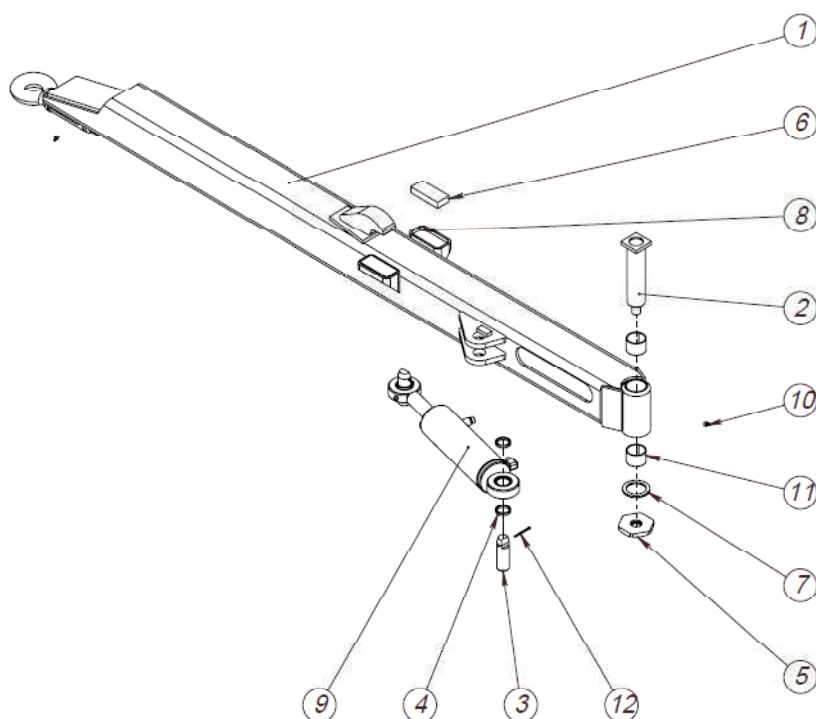


REF: 151008

Main parts, T10 4WD

ITEM NO.	PART NUMBER	DESCRIPTION	TYPE	QTY.
1	FMWA00069	Drawbar T9-T14 ASM	-	1
2	FMWA00074-080	Bogie side T7-T9/B-7; B-10	T10 4WD Left	1
3	FMWA00074-081	Bogie side T7-T9/B-7; B-10	T10 4WD Right	1
4	FMWA00097-01	Sliding support T9 ASM		1
5	FMWA00098	3-Point T9/T10 ASM		1
6	FMWA00311	Bogie cover T14G1		2
7	FMWA00383	Wheels support T9/T10 4WD ASM		1
8	FMWS00014-040	Chassis Farma T9		1
9	FMWS00075	B-post T10/T12		8
10	FMWS00560	Railing T7-T10		1
11	FMWS00775-01	Cover		1
12	FMWS00888	Shaft	GRND40 - 220 (209)	1
13	1215- 070430.000	Parking Leg shaft	7-10 - 12-15 G1	2
14	FMWP01412-01	Plate	PLT4 - 400x364	1
15	906188	Bolt Hex. Socket	M12x20 fzb DIN 7991	3
16	906173	Bolt Hex. Cap	M10x25 fzb DIN 933	8
17	908225	Washer flat	M10 fzb DIN 125	8
18	908620	Washer Spring	M10 fzb DIN 127	8
19	916528F_L	Wheel	19.0_45-17	2
20	916528F_R	Wheel	19.0_45-17	2
21	FMWH00002-01	Hyd. scheme T9	3-point T9/T10	1
22	FMWH00002-02	Hyd. scheme T9	Steering draw bar T9/T10	1
23	FMWH00002-09	Hyd. scheme T9	T9/T10 4WD	1
24	FMWA00397-12	Label set Farma	T10 4WD	1

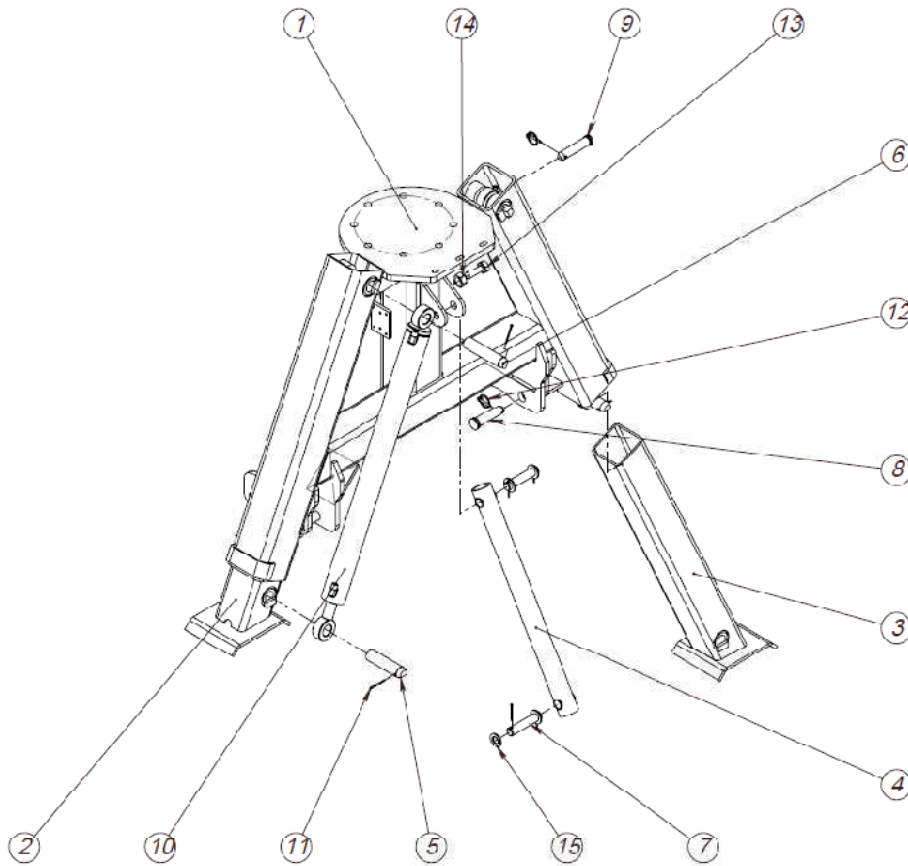
REF: 151008

1.1.1 DRAWBAR

REF: 150604
Drawbar, T9-T14

ITEM NO.	PART NUMBER	DESCRIPTION	TYPE	QTY.
1	FMWA00069	Drawbar T9-T10		1
2	FMWS00021-020	Shaft	GrndØ50 - 240(195)	1
3	FMWP00001-070	Pin	GrndØ35h9 - 105	2
4	FMWP00083	Ring	STØ42,3x3,4 - 7	4
5	FMWP01777	Nut	RndØ100 - 35	1
6	FMWP02223	Glide plastic	PLT20 - 105x45	2
7	FMWP02884	Washer	PLT5 - 76x76	1
8	FMWP04180	Shim	PLT1,50 - 103x43	2
9	313137	Hydraulic cylinder	90/40 - 200	1
10	930105	Lubricating nipple	1/8 " BSP DIN 71412	2
11	909150	Slide Bearing	50-55-40 P DIN 1494	2
12	908110	Pin Split	4x50 DIN 94	2
13	37313940	Sealing kit Hydr cyl 90/40		

REF: 150604

1.1.2 THREE-POINT FRAME

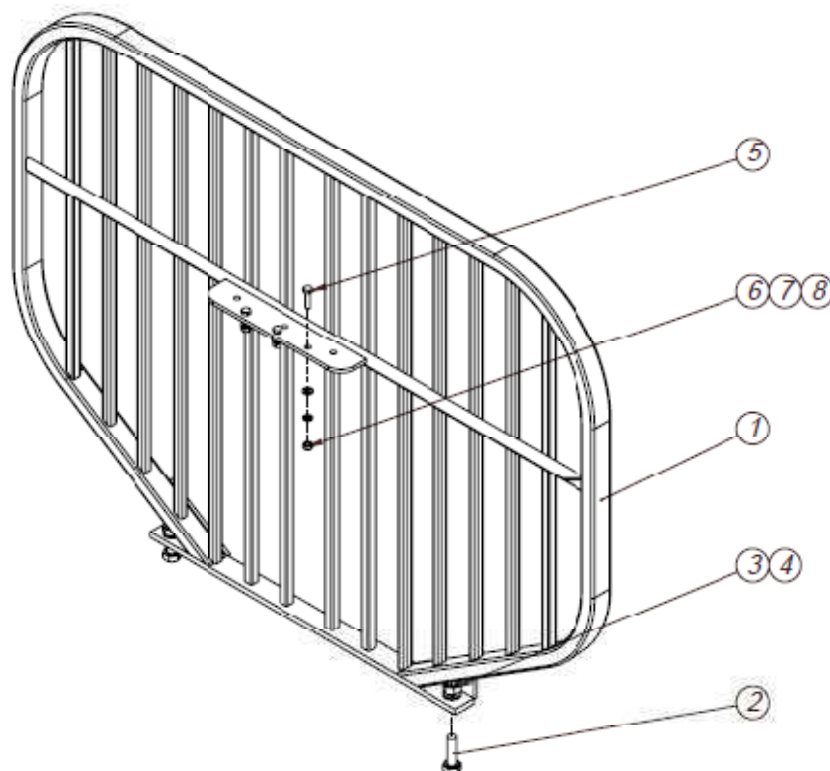


REF: 150604

Three-point frame, T9-T10

ITEM NO.	PART NUMBER	DESCRIPTION	TYPE	QTY.
1	FMWS00002	3-Point frame		1
2	FMWS00003	Stabilizer Leg T9 Right		1
3	FMWS00003-010	Stabilizer Leg T9 Left		1
4	FMWS00026	Tie-rod	-	1
5	FMWP00001-010	Pin	GrndØ35h9 - 145	2
6	FMWP00001-050	Pin	GrndØ35h9 - 165	2
7	FMWP00082	Pin	GrndØ25h9 - 125	2
8	FMWP04028	Pin	GRNDØ35-122	2
9	FMWP04030	Pin	GRNDØ30-127	1
10	313117	Hydraulic cylinder	50/32-800	2
11	908110	Pin Split	4x50 DIN 94	8
12	920230	Pin Linch	6x32x45 DIN 11024	3
13	906255	Bolt Hex. Cap	M24x60 fzb DIN 933	2
14	907255	Nut Hex.	M24 fzb DIN 934	2
15	908275	Washer flat	M24 fzb DIN 125	4
16	37913230	Sealing kit Hydr cyl 50/32		

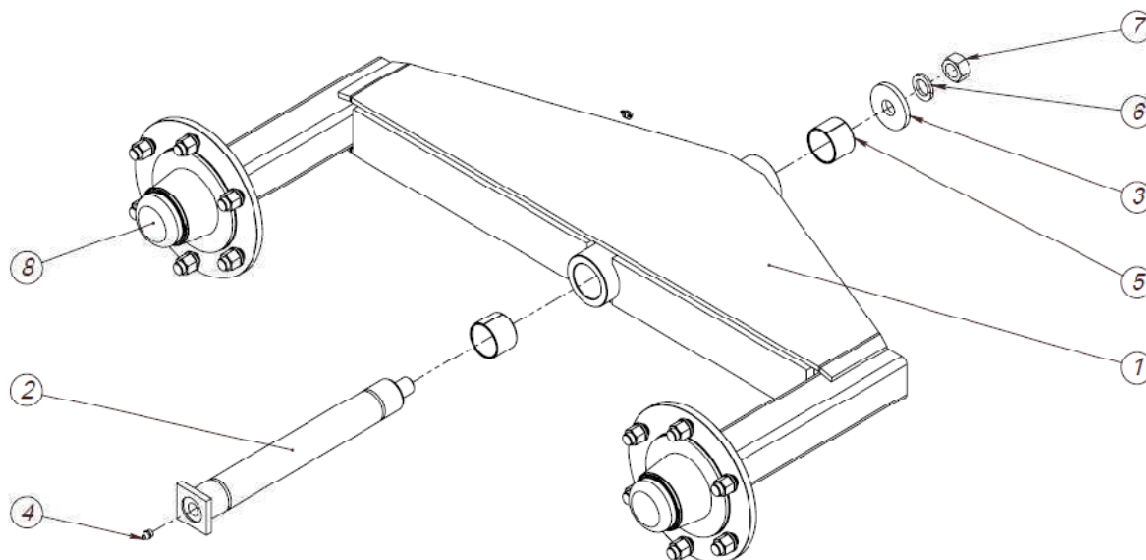
REF: 150604

1.1.3 RAILING

REF: 141203
Railing, T7-T10

ITEM NO.	PART NUMBER	DESCRIPTION	TYPE	QTY.
1	FMWS00560	Railing T7/T8/T9/T10		1
2	906258	Hex. bolt	M24x80 fzb DIN 933	2
3	907255	Nut Hex.	M24 fzb DIN 934	2
4	908640	Washer Spring	M24 fzb DIN 127	2
5	906204	Bolt Hex. Cap	M12x45 DIN 933	3
6	907222	Nut Hex.	M12 fzb DIN 934	3
7	908625	Washer Spring	M12 fzb DIN127	3
8	908229	Washer flat	M12 fzb DIN 125	3

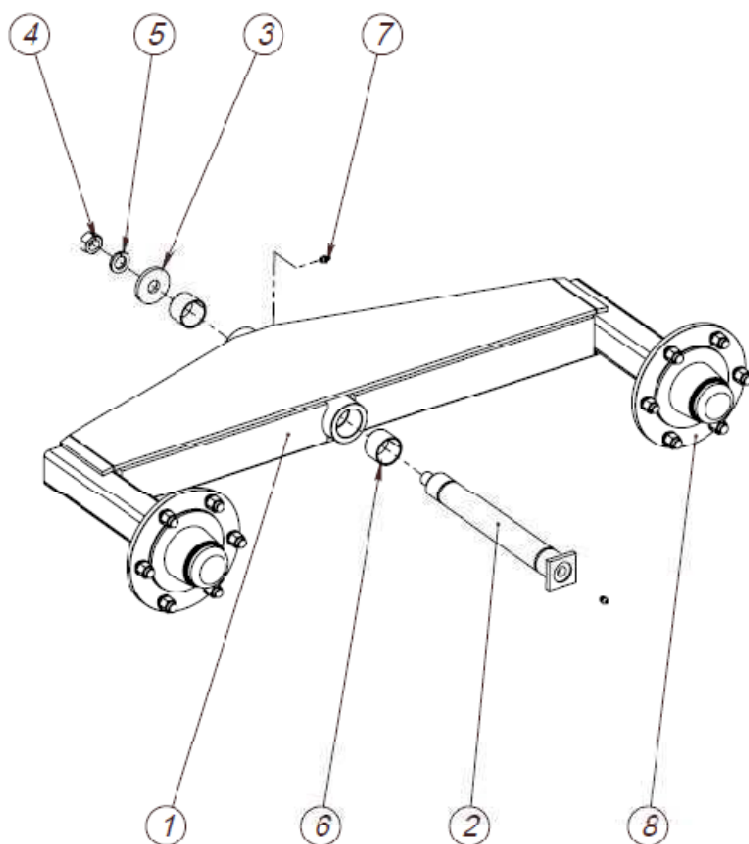
REF: 141203

1.1.4 BOGIES

Bogie T9

REF: 141203
Bogie, T7-T9

ITEM NO.	PART NUMBER	DESCRIPTION	TYPE	QTY.
1	FMWA00074	Bogie side T7-T9/B-7; B-10		1
2	FMWS00021-030	Shaft	GrndØ50 - 438(393)	1
3	FMWP00080	Washer	PLT8 - D70	1
4	930105	Lubricating nipple	1/8 " BSP DIN 71412	2
5	909150	Slide Bearing	50-55-40 P DIN 1494	2
6	908640	Washer Spring	M24 fzb DIN 127	1
7	907255	Nut Hex.	M24 fzb DIN 934	1
8	916115	Stubaxle S70MA0600400		2

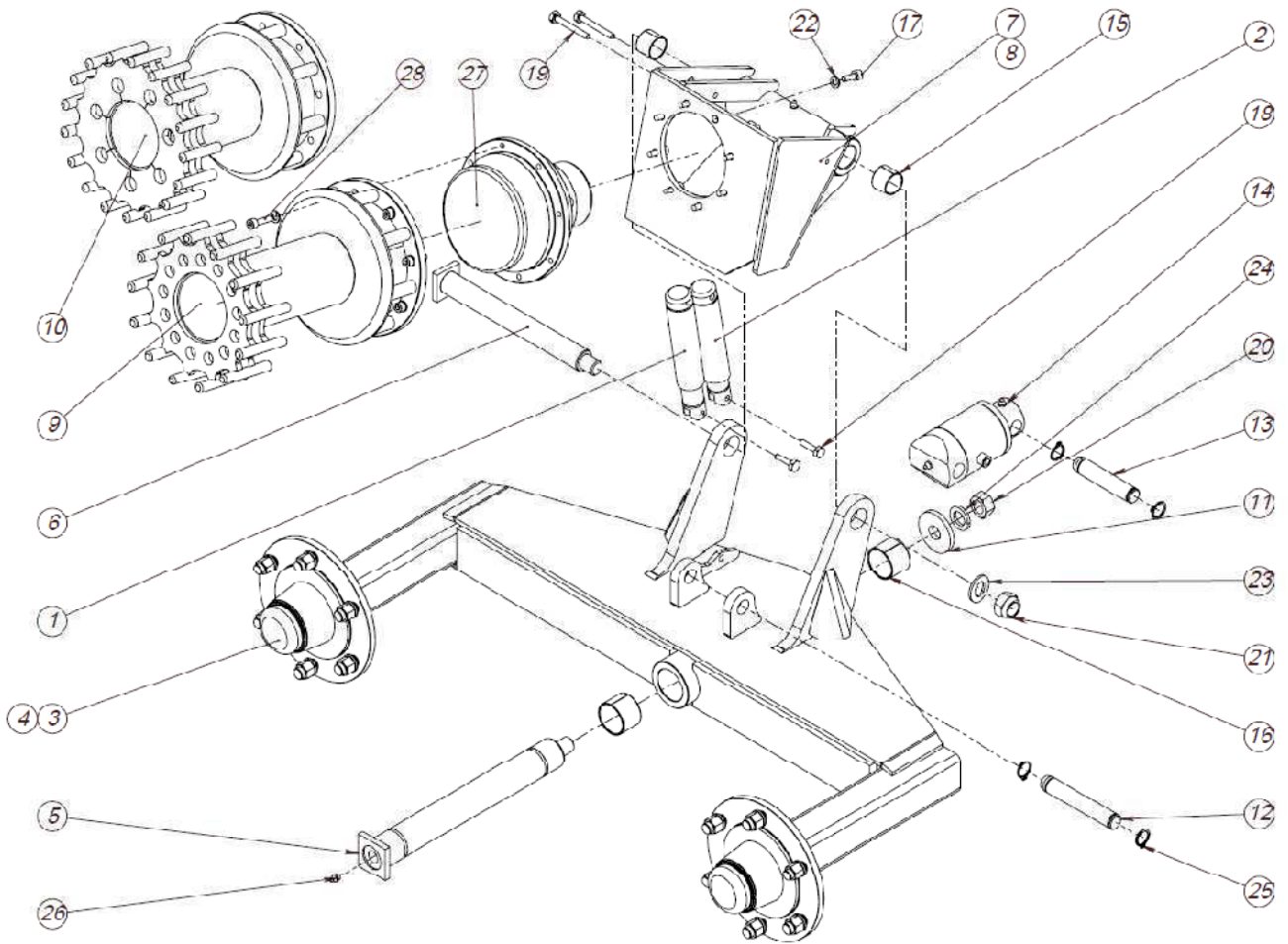
REF: 141203

Bogie T10

REF: 141203
Bogie, T10-T12

ITEM NO.	PART NUMBER	DESCRIPTION	TYPE	QTY.
1	FMWA00075	Bogie T10/T12 ASM		1
2	FMWS00021-030	Shaft	GrndØ50 - 438(393)	1
3	FMWP00080	Washer	PLT8 - D70	1
4	907255	Nut Hex.	M24 fzb DIN 934	1
5	908640	Washer Spring	M24 fzb DIN 127	1
6	909150	Slide Bearing	50-55-40 P DIN 1494	2
7	930105	Lubricating nipple	1/8" DIN 71412	2
8	916115	Stubaxle 70x400 6M18		2

REF: 141203

Bogie T9/T10 4WD

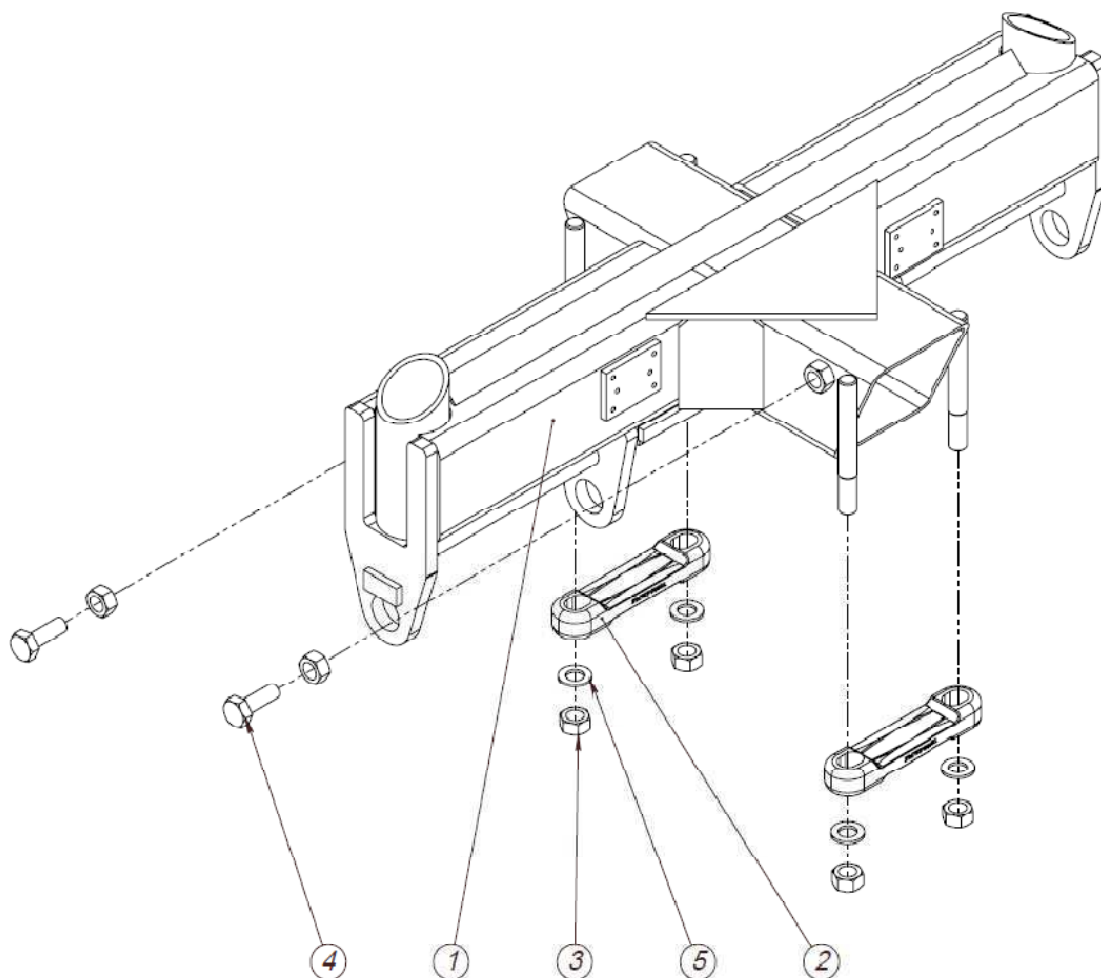


REF: 151008

Bogie T9/T10 4WD

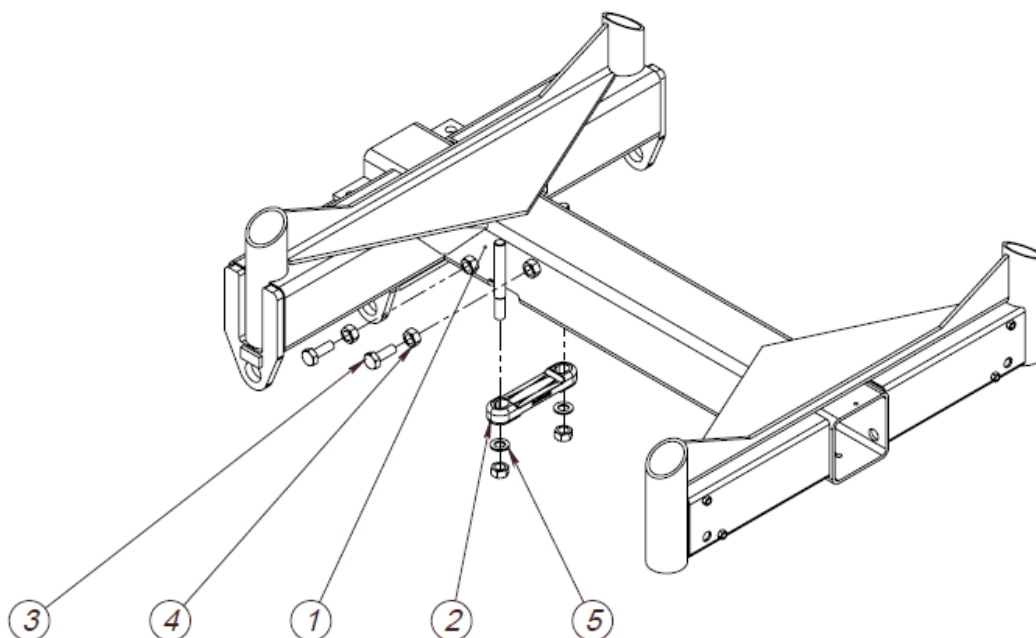
ITEM NO.	PART NUMBER	DESCRIPTION	TYPE	T9 4WD Left/ QTY.	T9 4WD Right/ QTY.	T10 4WD Left/ QTY.	T10 4WD Right/ QTY.
1	FMWA00267	Gas cylinder (spring) ASM	Long (spring 85 mm)	1	1	1	1
2	FMWA00267-01	Gas cylinder (spring) ASM	Short (spring 60 mm)	1	1	1	1
3	FMWS00011-110	Bogie side T7-T9/B-7; B-10	4WD Left	1	-	1	-
4	FMWS00011-111	Bogie side T7-T9/B-7; B-10	4WD Right	-	1	-	1
5	FMWS00021-030	Shaft	GrndØ50 - 438(393)	1	1	1	1
6	FMWS00062-060	Shaft	GrndØ35 - 345(300)	1	1	1	1
7	FMWS00086	Drive wheel bracket	Left	1	-	1	-
8	FMWS00086-01	Drive wheel bracket	Right	-	1	-	1
9	FMWS00087-01	Robson drive roller	T10 + 19/45-17	-	-	1	1
10	FMWS00087-02	Robson drive roller	T9 + 400/60-15,5	1	1	-	-
11	FMWP00080	Washer	PLT8 - D70	1	1	1	1
12	FMWP00312-010	Pin	Grnd25Øh9 - 155	1	1	1	1
13	FMWP00312-020	Pin	GrndØ25h9 - 125	1	1	1	1
14	313105	Hydraulic cylinder	80/60 - 35	1	1	1	1
15	909145	Slide Bearing	35-39-30 P DIN 1494	2	2	2	2
16	909150	Slide Bearing	50-55-40 P DIN 1494	2	2	2	2
17	906172	Bolt Hex. Socket	M10x25 DIN 912	8	8	8	8
18	906176	Bolt Hex. Cap	M10x35 fzb DIN 933	2	2	2	2
19	906185	Bolt Hex. Cap	M10x70 DIN 933	2	2	2	2
20	907255	Nut Hex.	M24 fzb DIN 934	1	1	1	1
21	907252	Nut Hex. Nylock	M24 DIN 985	1	1	1	1
22	908620	Washer Spring	M10 fzb DIN 127	16	16	16	16
23	908275	Washer flat	M24 fzb DIN 125	1	1	1	1
24	908640	Washer Spring	M24 fzb DIN 127	1	1	1	1
25	911255	Lock-ring	d25 DIN 471	4	4	4	4
26	930105	Lubricating nipple	1/8" DIN 71412	3	3	3	3
27	915144	Wheel gear GR200	N 6,2 MLR 125 short motor	1	1	1	1
28	906528	Bolt Hex. Socket	M10x35 DIN 912	8	8	8	8
29	37313842	Sealing kit 80/60					

REF: 151008

1.1.5 WHEEL SUPPORT
Wheel support T9

REF: 141203
Wheel support, T9

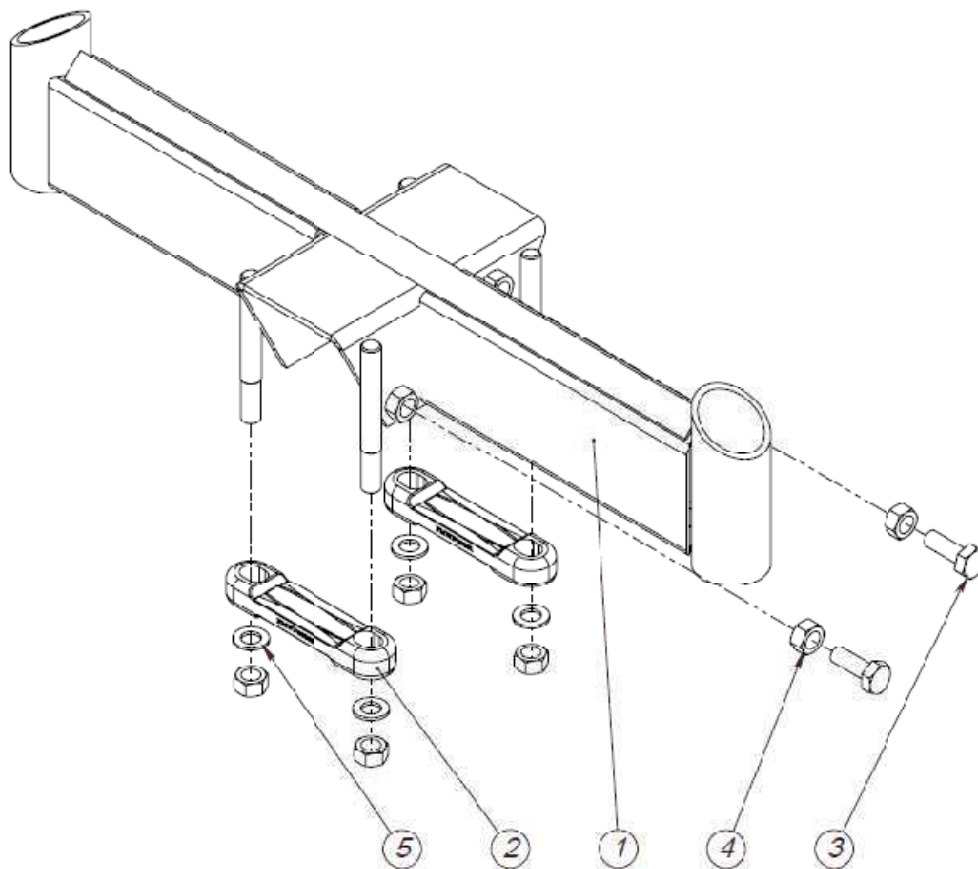
ITEM NO.	PART NUMBER	DESCRIPTION	TYPE	QTY.
1	FMWS00013	Wheels support T9		1
2	FMWP00081	Plate	PLT40 - 265x60	2
3	907255	Nut Hex.	M24 fzb DIN 934	6
4	906255	Bolt Hex. Cap	M24x60 fzb DIN 933	2
5	908275	Washer flat	M24 fzb DIN 125	4

REF: 141203

Wheel Support T10

REF: 141203
Wheel Support, T10-T12

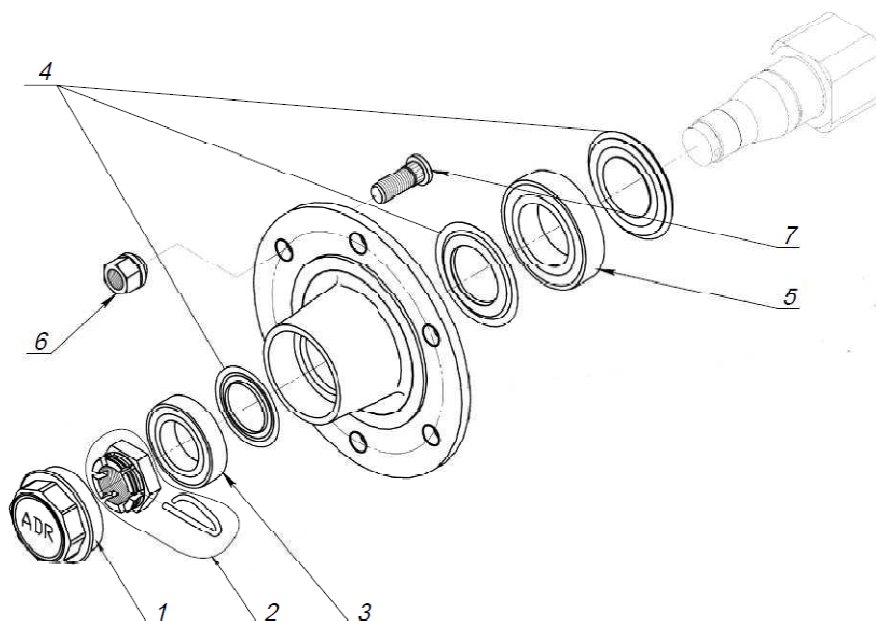
ITEM NO.	PART NUMBER	DESCRIPTION	TYPE	QTY.
1	FMWS00084	Wheels support T10/T12	-	1
2	FMWP00081	Plate	PLT40 - 265x60	1
3	906255	Bolt Hex. Cap	M24x60 fzb DIN 933	2
4	907255	Nut Hex.	M24 fzb DIN 934	4
5	908275	Washer flat	M24 fzb DIN 125	2

REF: 141203

1.1.6 SLIDING SUPPORT T9

REF: 141203
Sliding support, T9

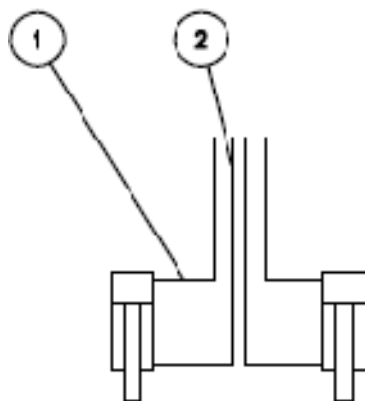
ITEM NO.	PART NUMBER	DESCRIPTION	TYPE	QTY.
1	FMWS00098	Sliding support T9		1
2	FMWP00081	Plate	PLT40 - 265x60	2
3	906255	Bolt Hex. Cap	M24x60 fzb DIN 933	2
4	907255	Nut Hex.	M24 fzb DIN 934	6
5	908275	Washer flat	M24 fzb DIN 125	4

REF: 141203

1.1.7 STUBAXLE

REF: 141203
T7-T12 stubaxle

ITEM NO.	PART NUMBER	DESCRIPTION	TYPE	QTY.
1	916/9RT90	Hub Cap ADR 90		1
2	916315	Hub nut and locking pin	M39	1
3	910260	Wheel bearing	32210 J2/Q	1
4	916345	Oil seal and NILOS-rings		1
5	910256	Wheel bearing	30213	1
6	916476	Wheel nut	M18x1,5	6
7	916472	Wheel bolt	M18x1,5x49	6

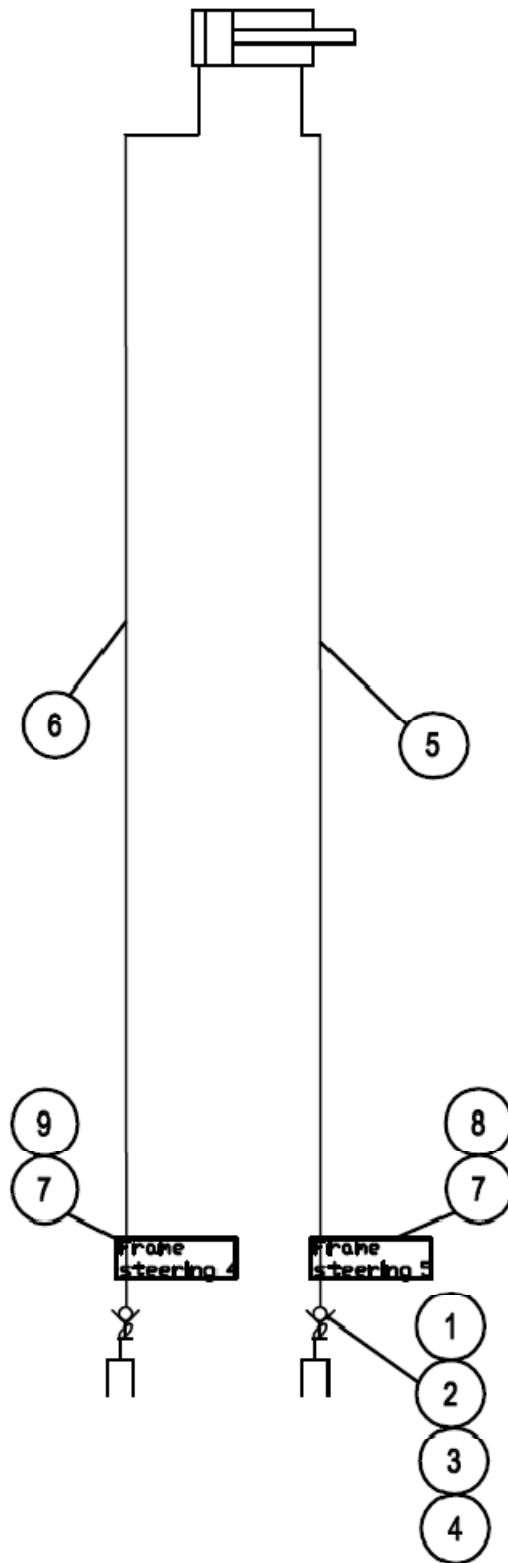
REF: 170314

1.2 HYDRAULIC SCHEMES
1.2.1 THREE-POINT FRAME

REF: 141203
Hydraulic system, three-point frame

FMWH00002-01

ITEM NO.	PART NO.	DESCRIPTION	TYPE	QTY.
1	FMWH00200	H-hose	42010604-1/4"(3330)-42010404	2
2	FMWH00201	H-hose	42010604-1/4"(2500)-42010404	2

1.2.2 STEERABLE DRAWBAR



REF: 141203

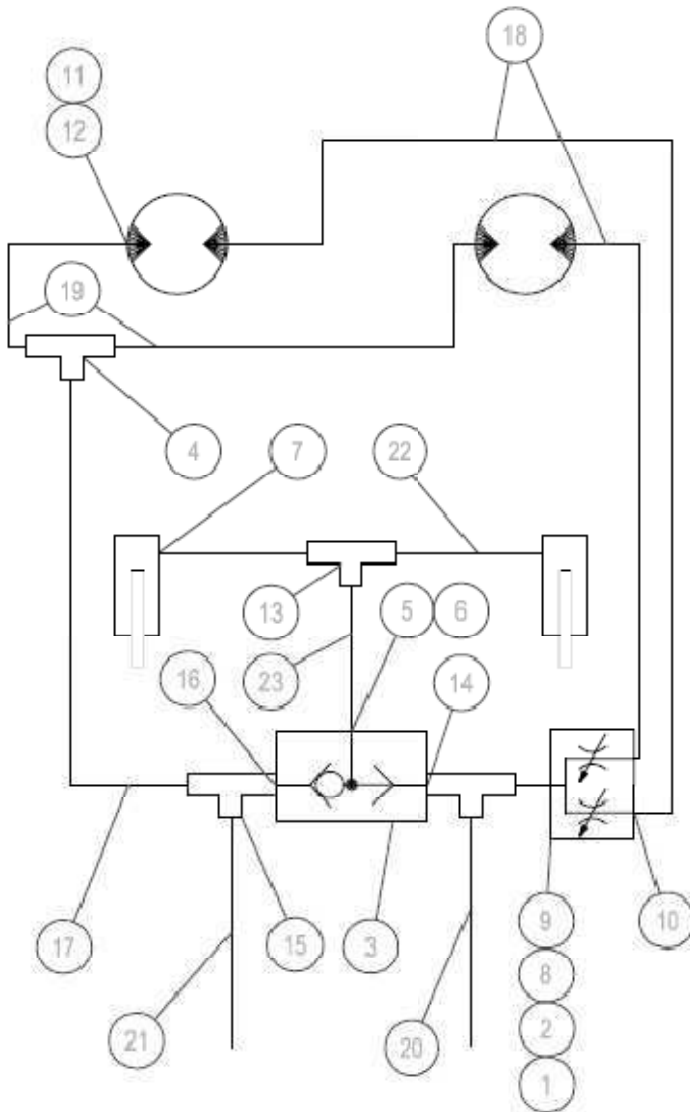
Hydraulic system, steerable drawbar

FMWH00002-02

ITEM NO.	PART NO.	DESCRIPTION	TYPE	QTY.
1	914714	Straight nipple	7210-04-04; R1/4"UFxR1/2"UF	2
2	914584	Rubber seal	5601-01-08; R1/2"	2
3	914570	Bayonet coupling	5550-03-08; G1/2"IF	2
4	914579	Dust cover	5550-04-08; 1/2"F Black	2
5	FMWH00202	H-hose	42010404-1/4"(3500)-42010604	1
6	FMWH00214	H-hose	42010404-1/4"(3260)-42050604	1
7	922227	Heat shrink tube	SR 25,4-12,7	0,08
8	925036	Sticker	Frame steering (right) 4	1
9	925038	Sticker	Frame steering (left) 5	1

REF: 141203

1.2.3 T9/T10 4WD



REF: 151008

Hydraulic system, T9/T10 4WD

FMWH00002-09

ITEM NO.	PART NO.	DESCRIPTION	TYPE	QTY.
1	915167	Flow Divider	0-90 litre for 4WD	1
2	915168	Valve Body	For 4WD	1
3	915169	Shuttle Valve	1/2" for 4 WD	1
4	914772	T- nipple	7401-08-08; 1/2"UF x UF x UFT	1
5	914584	Rubber seal	5601-01-08; G1/2"	1
6	914718	Straight nipple	7002-06-08; G3/8"MxG1/2"M	1
7	914764	Angle nipple	7210-04-04 G1/4"MxR1/4"M	2
8	914586	Rubber seal	5601-01-12; R3/4"	3
9	914722	Straight nipple	7002-08-12; R1/2"UF x R3/4"UF	1
10	914719	Straight nipple	7002-06-12; R3/8"UF x R3/4"UF	2
11	914716	Straight nipple	7002-06-06; R3/8"UF x R3/8"UF	4
12	914582	Rubber seal	5601-01-06; G3/8"	4
13	914770	T- nipple	7401-06-06; 3/8"UF x UF x UFT	1
14	914752	Cartridge nipple	7090-08-08 R1/2"UF x R1/2"UR Bulkhead	1
15	914788	T- nipple	7404-08-08 1/2"UF x IR x UFT	2
16	914720	Straight nipple	7002-08-08 R1/2"UF x R1/2"UF	1
17	FMWH00578	H-hose	42010808-1/2(2250)-42010808	1
18	FMWH00580	H-hose	42010606-3/8(3600)-42030606	2
19	FMWH00581	H-hose	42030606-3/8(1100)-42050806	2
20	FMWH00582	H-hose	42050808-1/2(1800)-42030808	1
21	FMWH00583	H-hose	42050808-1/2(2000)-42030808	1
22	FMWH00584	H-hose	42010404-1/4(1300)-42050604	2
23	FMWH00585	H-hose	42030606-3/8(2350)-42050606	1

REF: 151008

2 TECHNICAL SPECIFICATIONS

2.1 TECHNICAL DATA

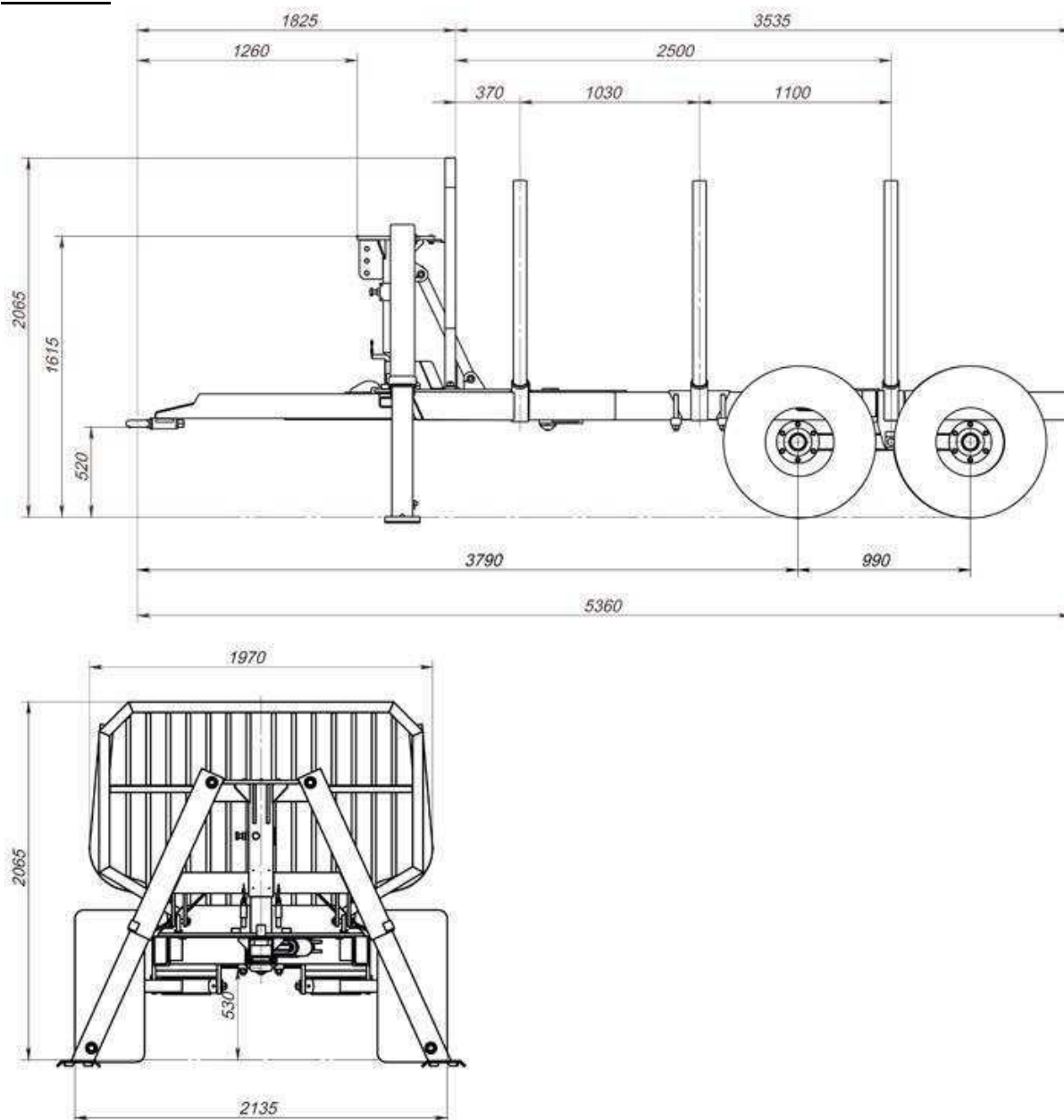
LUMBER TRAILER	T9	T9 4WD	T10	T10 4WD
Gross weight of trailer/ trailer with crane	9000 kg	9000 kg	10 000 kg	10 000 kg
Loading area	2,1 m ²	2,1 m ²	2,2 m ²	2.2 m ²
Ground clearance	530 mm	505 mm	505 mm	510 mm
Wheels/tires dimensions	400/60x15,5	400/60x15,5	500/50x17	19/45-17
Weight of standard trailer, kg	1640 kg	2520 kg	1720 kg	2660 kg
Steering angle with frame steering	48 degrees	48 degrees	48 degrees	48 degrees

REF: Farma collection 201701

2.2 MAIN DIMENSIONS

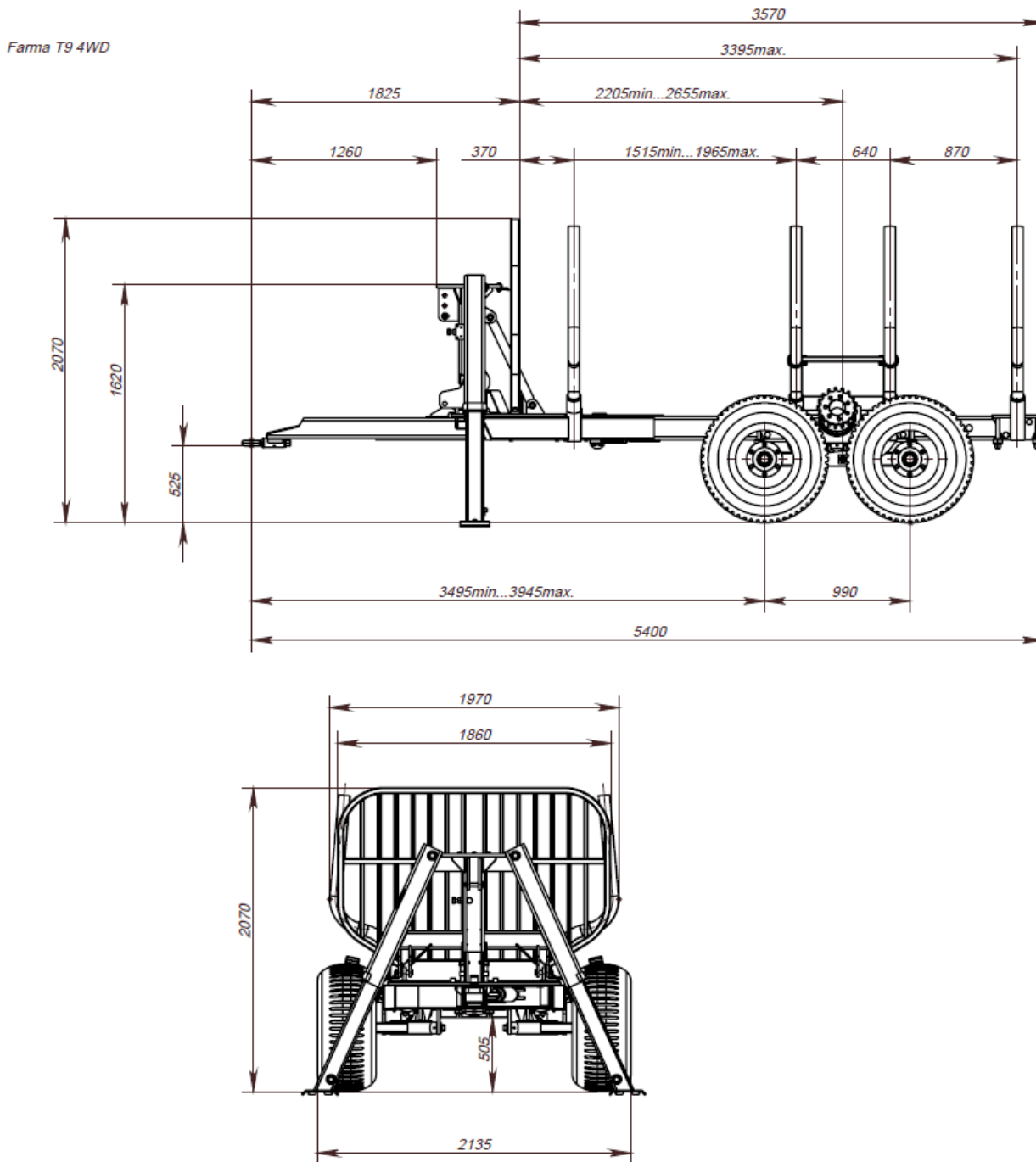
*These figures are for illustrative purposes only

Farma T9



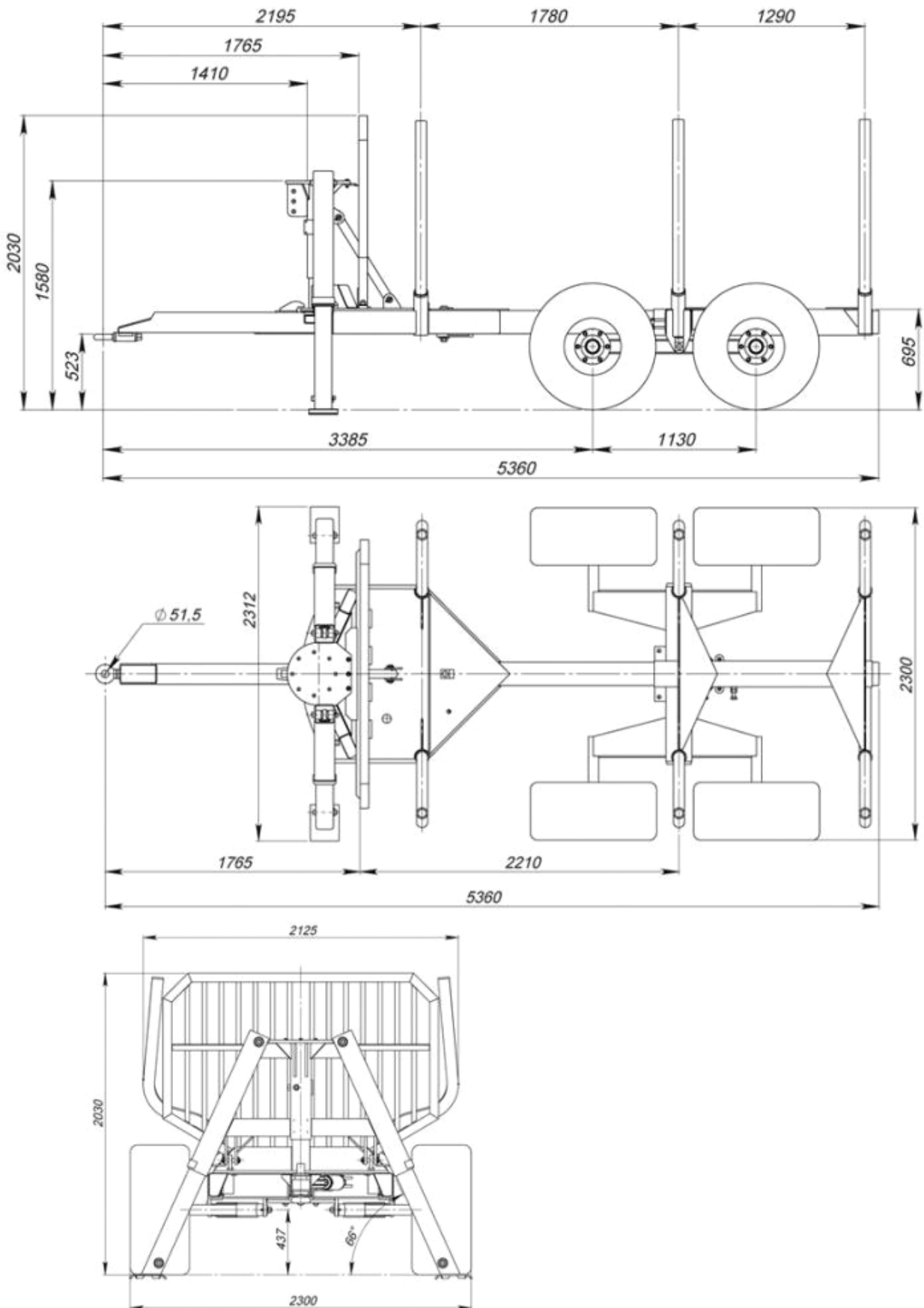
REF: S1.0-2014W19-en

Farma T9 4WD



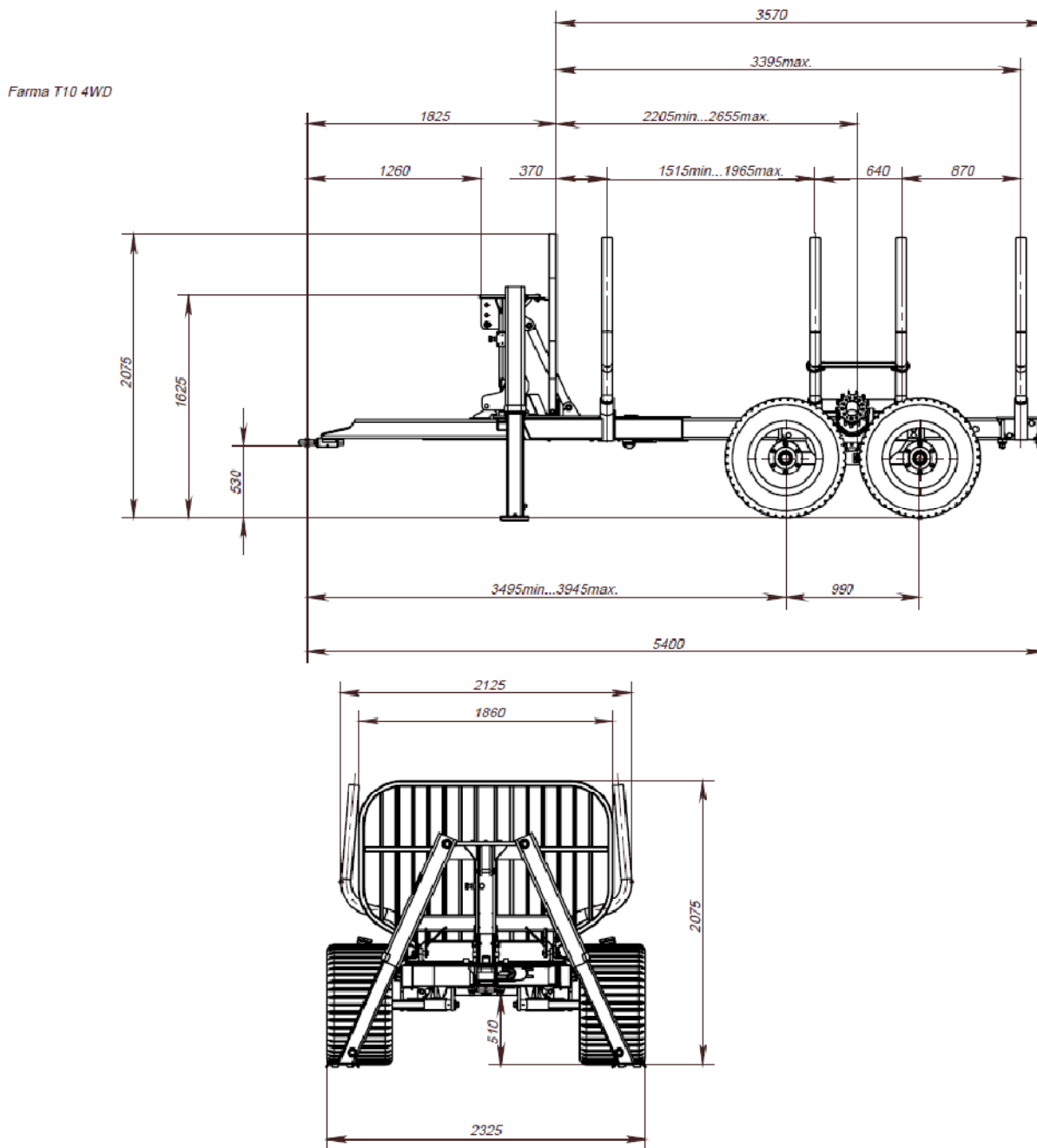
REF: 151008

Farma T10



REF: S1.0-2014W19-en

Farma T10 4WD



REF: 151008

3 EC DECLARATION OF CONFORMITY (SAMPLE)***EC Declaration of Conformity of the Machinery***

Manufacturer:

Fors MW AS

Tule 30

76505 Saue

Estonia

The technical file is compiled by **Peter Kastberg**;

I hereby confirm that this **complete trailer FARMA T9/T10**:

Trade mark: **FARMA**

Function: **complete lumber trailer with crane**

Model: **T9/T10**

Type: **FT** variant: **T9/T9 4WD/T10/T10 4WD**

VIN: **V60FT0009x01xxxxx/V60FT0010x01xxxxx**

Trade name: **FARMA T9/FARMA T9 4WD/FARMA T10/FARMA T10 4WD**

Manufacture year: **xxxx**

is manufactured accordingly to demands in **directive 2006/42/EC** and therefore can be used mounted together with other equipment to provide a complete machine.

The equipment can't be used before the machine or the formation that it will take place in, is accordingly to the demands of the EC Machinery directive.

For the guarantee and safety, it is of uttermost significance that the instruction book is read before the machine is put into service.



Peter Kastberg
CEO

Saue, Estonia

2017-03-23