

 **FARMA**®

LUMBER TRAILER

T7

T7S

T8

EN_S1.2-2017W49

Original instruction

SPARE PARTS

SPARE PARTS

T7/T7S/T8

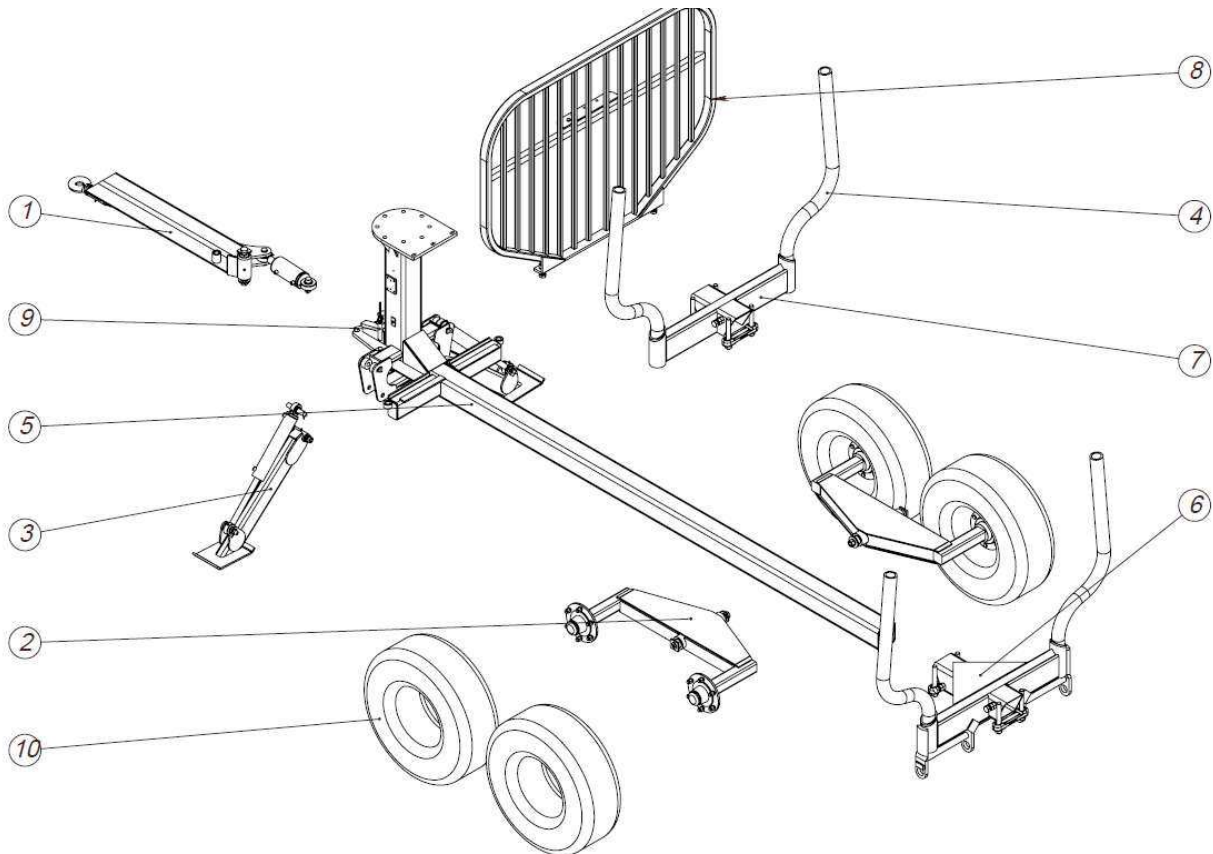
TABLE OF CONTENTS

1	SPARE PARTS	2
1.1	MAIN PARTS, FARMA T7-T8.....	2
1.1.1	DRAWBAR.....	4
1.1.2	BOGIE.....	5
1.1.3	STABILIZER LEG	6
1.1.4	WHEEL SUPPORT	7
1.1.5	SLIDING SUPPORT.....	8
1.1.6	RAILING.....	9
1.1.7	STUBAXLE	10
2	HYDRAULIC SCHEMES.....	11
2.1	SUPPORT LEG.....	11
2.2	STEERABLE DRAWBAR	12
3	TECHNICAL SPECIFICATIONS	13
3.1	TECHNICAL DATA.....	13
3.2	MAIN DIMENSIONS	14
4	EC DECLARATION OF CONFORMITY (SAMPLE)	17

1 SPARE PARTS

1.1 MAIN PARTS, FARMA T7-T8

FARMA T7



REF: 141202

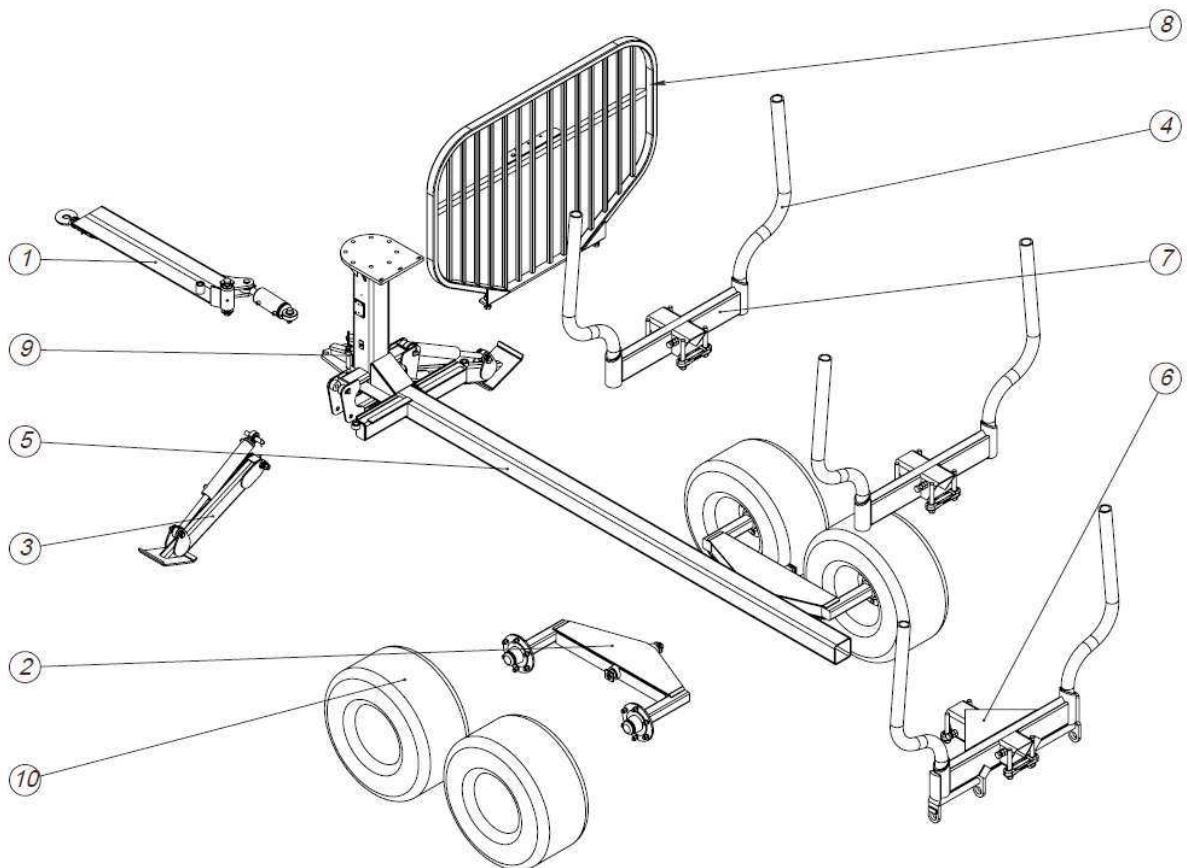
Original instruction

Main parts Farma T7-T8

ITEM NO.	PART NUMBER	DESCRIPTION	TYPE	T7 QTY.	T8 QTY.
1	FMWA00015-01	Drawbar T7/T8 ASM		1	1
2	FMWA00074	Bogie side T7-T9/B-7; B-10		2	2
3	FMWA00166	Stabilizer leg T7/T8 ASM		2	2
4	FMWS00009	B-post T7/T8/T9		4	6
5	FMWS00032	Chassis Frame T7/T8		1	1
6	FMWS00040	Wheels support T7/T8		1	1
7	FMWS00041	Sliding support T7/T8		1	2
8	FMWS00560	Railing T7/T8/T9		1	1
9	FMWS00745	Parking leg shaft	d25-120 (117)	1	1
10	916515	Wheel	400/60-15,5	4	4

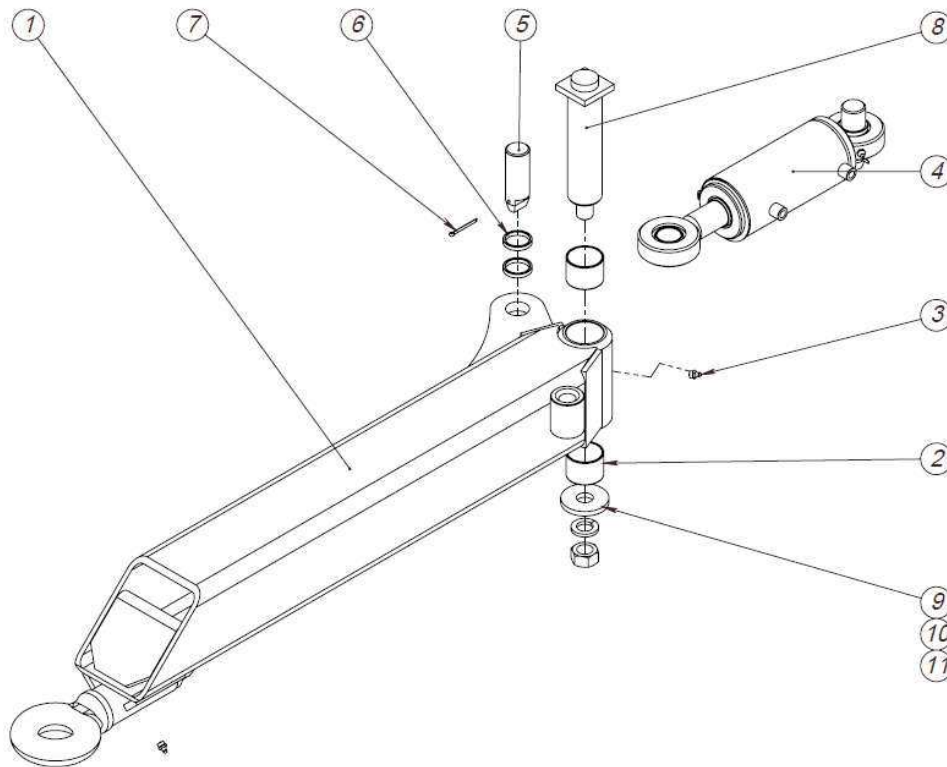
REF: 141202

FARMA T8



REF: 141202

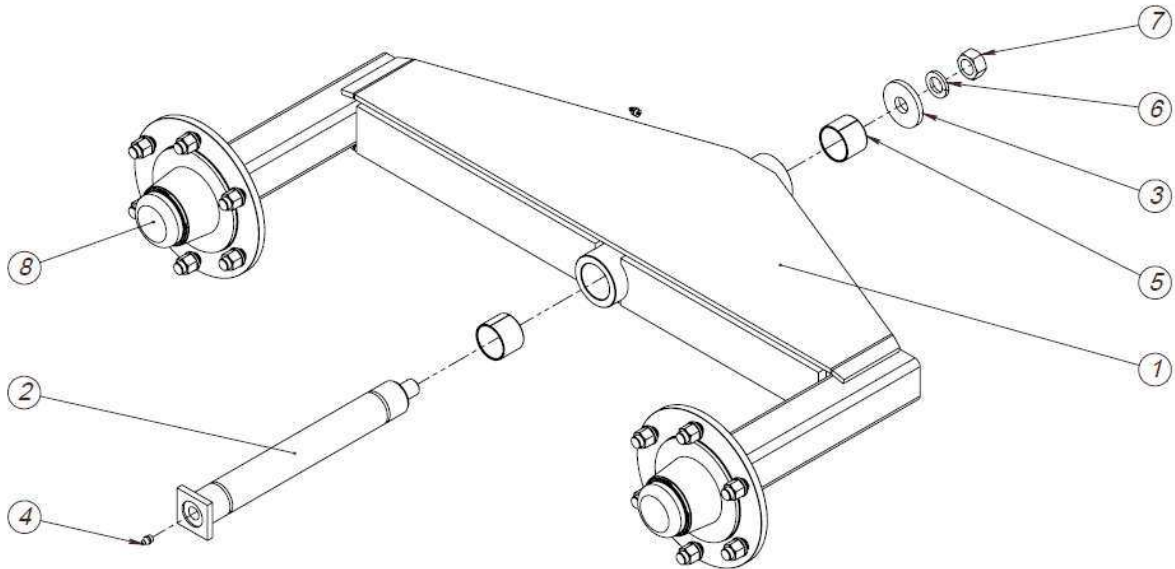
Original instruction

1.1.1 DRAWBAR

REF: 150604
Drawbar

ITEM NO.	PART NUMBER	DESCRIPTION	TYPE	QTY.
1	FMWA00015-01	Drawbar T7/T8 ASM		1
2	909150	Slide bearing	50x55x40 DIN1494	2
3	930105	Lubricating nipple	1/8 " BSP DIN 71412	2
4	313140	Hydraulic cylinder	90/40-100	1
-	37313940	Sealing kit Hydr cyl	90/40	-
5	FMWP00001-070	Pin	GrndØ35h9 - 105	2
6	FMWP00083	Ring	STØ42,3x3,4 - 7	4
7	908109	Split pin	4x45 DIN 94	2
8	FMWS00021-060	Shaft	GrndØ50 - 235(190)	1
9	FMWP00080	Washer	PLT8 - D70	1
10	908640	Washer Spring	M24 fzb DIN 127	1
11	907255	Nut Hex.	M24 fzb DIN 934	1

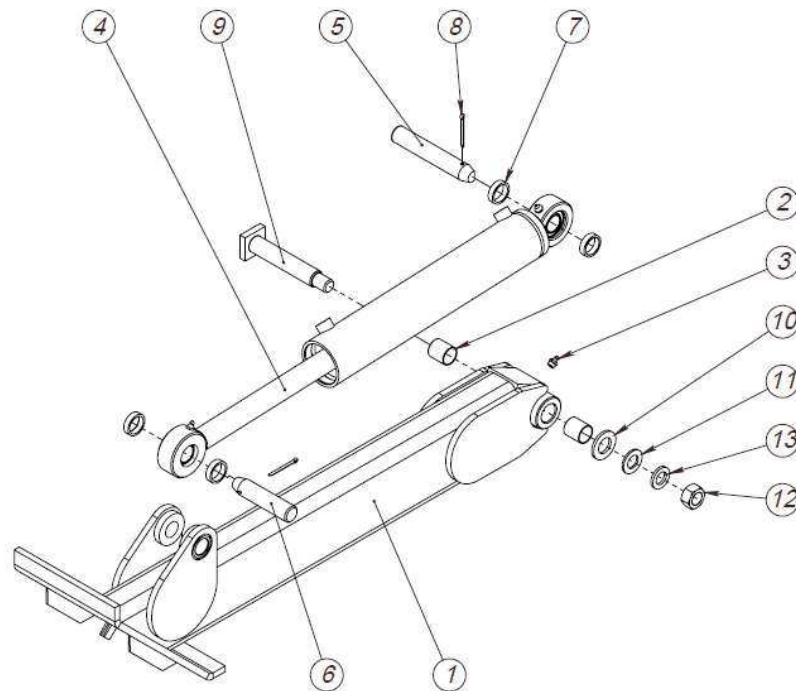
REF: 150604

1.1.2 BOGIE


REF: 141202
Bogie T7-T9

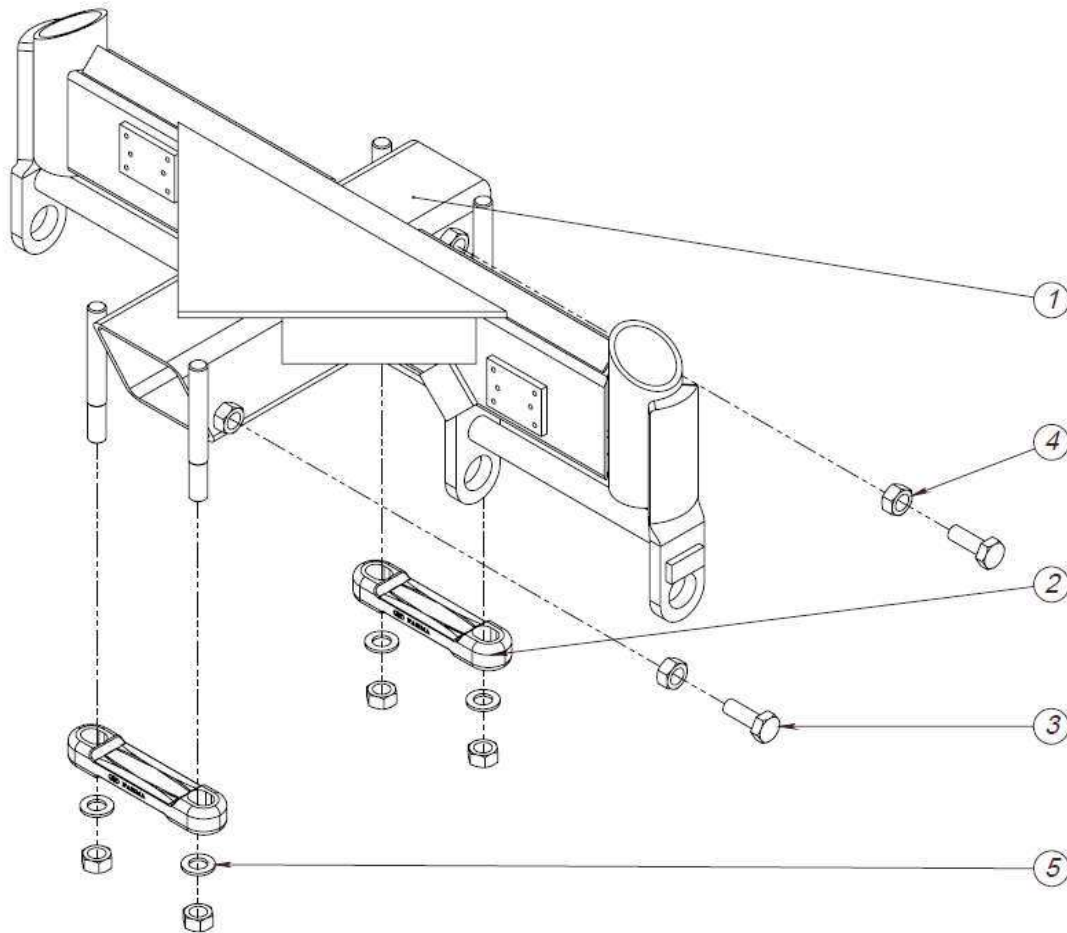
ITEM NO.	PART NUMBER	DESCRIPTION	TYPE	QTY.
1	FMWA00074	Bogie side T7-T9/B-7; B-10		1
2	FMWS00021-030	Shaft	GrndØ50 - 438(393)	1
3	FMWP00080	Washer	PLT8 - D70	1
4	930105	Lubricating nipple	1/8 " BSP DIN 71412	2
5	909150	Slide Bearing	50-55-40 P DIN 1494	2
6	908640	Washer Spring	M24 fzb DIN 127	1
7	907255	Nut Hex.	M24 fzb DIN 934	1
8	916115	Stubaxle S70MA0600400		2

REF: 141202

1.1.3 STABILIZER LEG

REF: 150604
Stabilizer leg T7-T8

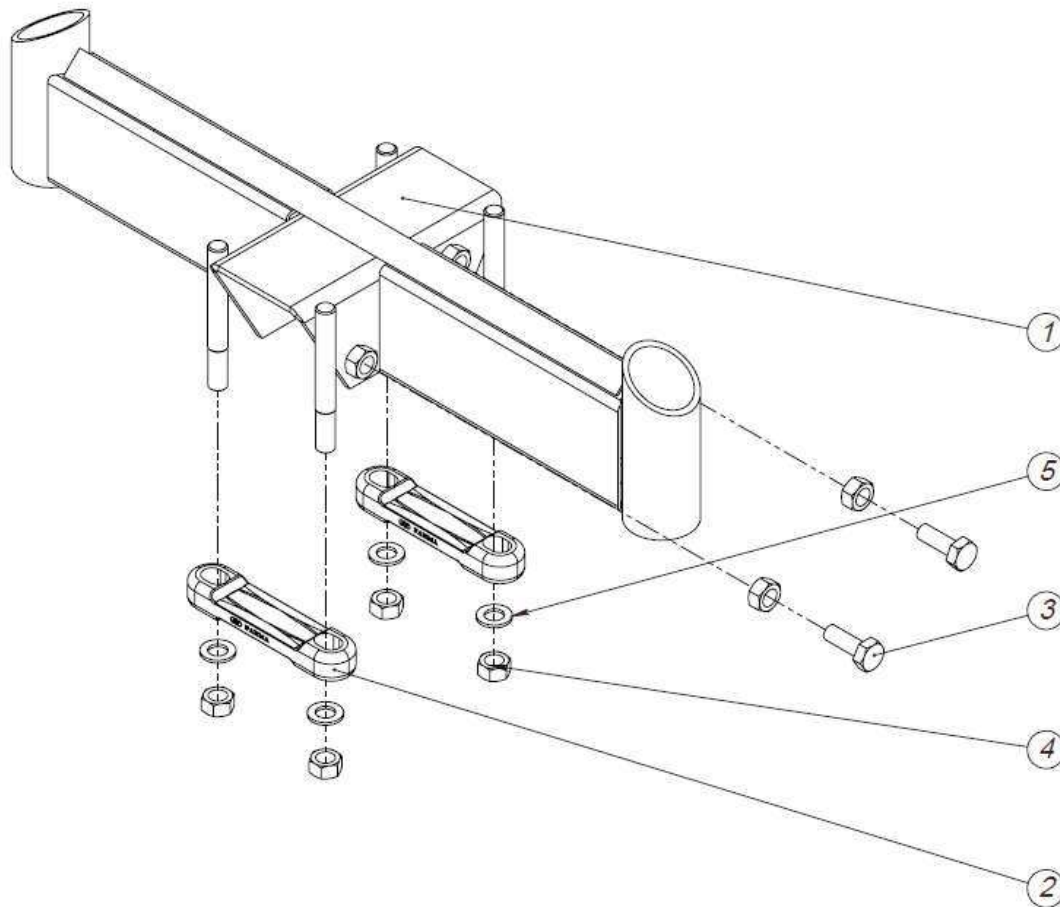
ITEM NO.	PART NUMBER	DESCRIPTION	TYPE	QTY.
1	FMWA00166	Stabilizer leg T7/T8		1
2	909135	Slide Bearing	25-28-30 P DIN 1494	2
3	930105	Lubricating nipple	1/8 " BSP DIN 71412	1
4	313119	Hydraulic cylinder	63/32-300	1
-	37313632	Sealing kit Hydr cyl	63/32	-
5	FMWP00167-030	Pin	Grnd Ø25 - 150	1
6	FMWP00167-040	Pin	Grnd Ø25 - 110	1
7	FMWP00166	Ring	STØ33,5x3,2 - 8,5	4
8	908109	Split pin	4x45 DIN 94	2
9	FMWS00045-040	Shaft	GrndØ25 - 168(123)	1
10	908275	Washer flat	M24 fzb DIN 125	1
11	908270	Washer flat	M20 fzb DIN 125	1
12	907243	Nut Hex.	M20 fzb DIN 934	1
13	908635	Washer Spring	M20 fzb DIN 127	1

REF: 150604

1.1.4 WHEEL SUPPORT

REF: 141202
Wheel support T7-T8

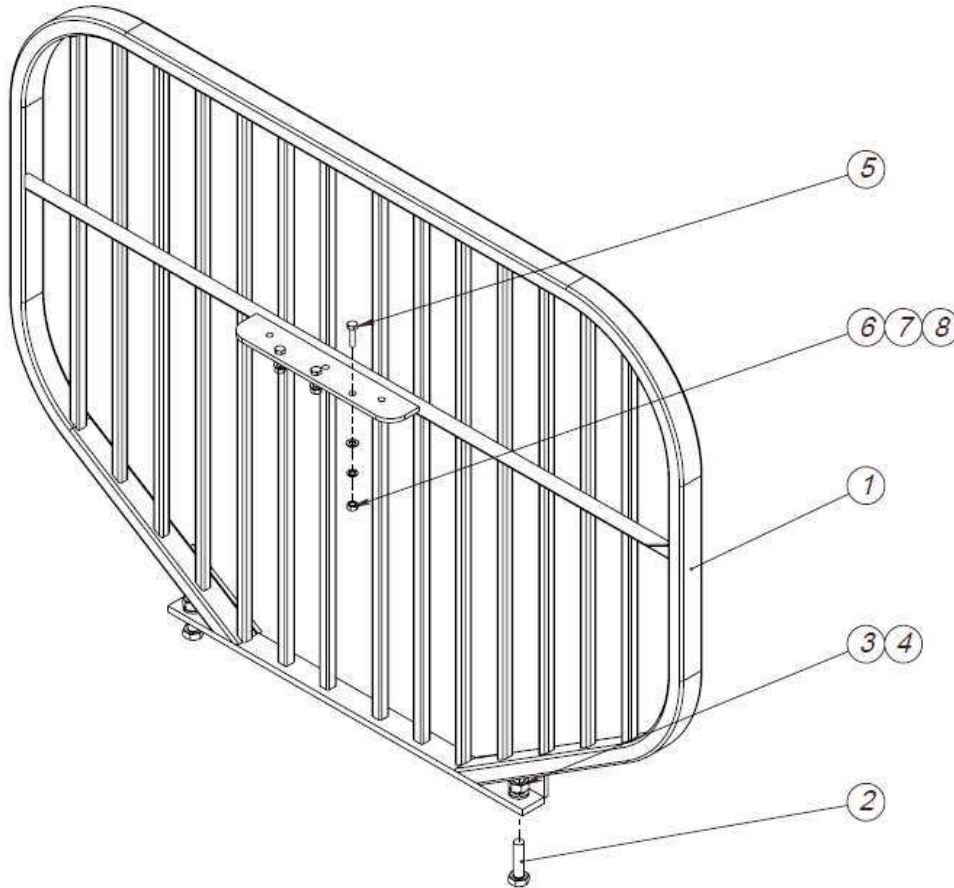
ITEM NO.	PART NUMBER	DESCRIPTION	TYPE	QTY.
1	FMWS00040	Wheels support T7/T8	-	1
2	FMWP00081	Plate	PLT40 - 265x60	2
3	906255	Bolt Hex. Cap	M24x60 fzb DIN 933	2
4	907255	Nut Hex.	M24 fzb DIN 934	6
5	908275	Washer flat	M24 fzb DIN 125	4

REF: 141202

1.1.5 SLIDING SUPPORT

REF: 141202
Sliding support T7-T8

ITEM NO.	PART NUMBER	DESCRIPTION	TYPE	QTY.
1	FMWS00041	Sliding support T7/T8	-	1
2	FMWP00081	Plate	PLT40 - 265x60	2
3	906255	Bolt Hex. Cap	M24x60 fzb DIN 933	2
4	907255	Nut Hex.	M24 fzb DIN 934	6
5	908275	Washer flat	M24 fzb DIN 125	4

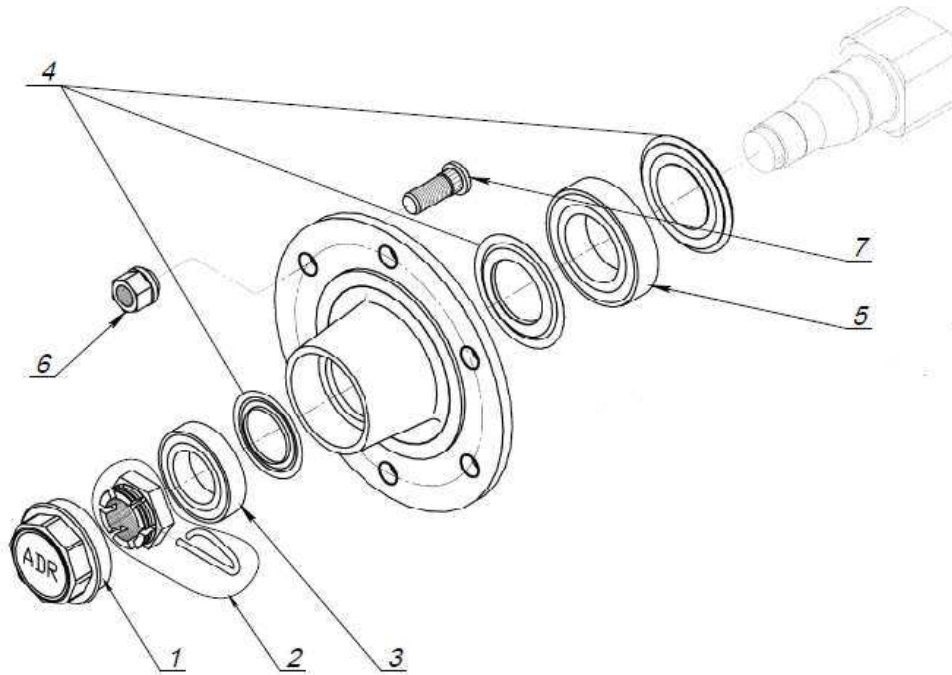
REF: 141202

1.1.6 RAILING

REF: 141202
Railing T7-T10

ITEM NO.	PART NUMBER	DESCRIPTION	TYPE	QTY.
1	FMWS00560	Railing T7-T10		1
2	906258	Hex. bolt	M24x80 fzb DIN 933	2
3	907255	Nut Hex.	M24 fzb DIN 934	2
4	908640	Washer Spring	M24 fzb DIN 127	2
5	906204	Bolt Hex. Cap	M12x45 DIN 933	3
6	907222	Nut Hex.	M12 fzb DIN 934	3
7	908625	Washer Spring	M12 fzb DIN127	3
8	908229	Washer flat	M12 fzb DIN 125	3

REF: 141202

Original instruction

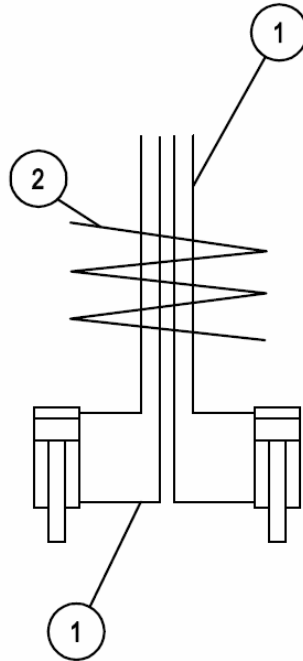
1.1.7 STUBAXLE

REF: 141202
Stubaxle

ITEM NO.	PART NUMBER	DESCRIPTION	TYPE	QTY.
1	916/9RT90	Hub Cap ADR 90		1
2	916315	Hub nut and locking pin	M39	1
3	910260	Wheel bearing	32210 J2/Q	1
4	916345	Oil seal and NILOS-rings		1
5	910256	Wheel bearing	30213	1
6	916476	Wheel nut	M18x1,5	6
7	916472	Wheel bolt	M18x1,5x49	6

REF: 170314

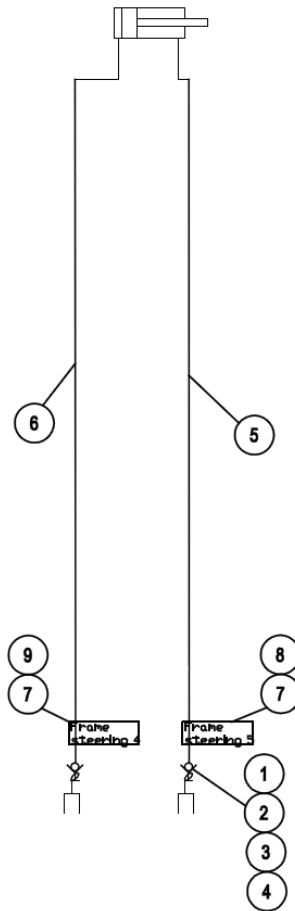
2 HYDRAULIC SCHEMES

2.1 SUPPORT LEG


REF: 141202
Support leg Farma T7-78 (FMWH00006-01)

ITEM NO.	PART NUMBER	DESCRIPTION	TYPE	QTY.
1	FMWH00219	H-hose	42010604-1/4"(3500) 42010404	4
2	930320	SPIRO PIPES	d32x3mm yellow	1,5
3	914562	Clip double	5390-42-14	2
4	914566	Cover plate	D 5394-12-01	2
5	906165	Hexagon bolt	M8x40 fzb DIN 933	2

REF: 141202

2.2 STEERABLE DRAWBAR

REF: 141202
Steerable drawbar T7-T8 (FMWH00006-02)

ITEM NO.	PART NUMBER	DESCRIPTION	TYPE	QTY.
1	914714	Straight nipple	7210-04-04; R1/4"UFxR1/2"UF	2
2	914584	Rubber seal	5601-01-08; R1/2"	2
3	914570	Bayonet coupling	5550-03-08; G1/2"IF	2
4	914579	Dust cover	5550-04-08; 1/2"F Black	2
5	FMWH00220	H-hose	42010404-1/4"(2650)-42010604	1
6	FMWH00221	H-hose	42010404-1/4"(2500)-42050604	1
7	922227	Heat shrink tube	SR 25,4-12,7	0,08
8	925036	Sticker	Frame steering (right) 4	1
9	925038	Sticker	Frame steering (left) 5	1

REF: 141202

3 TECHNICAL SPECIFICATIONS

3.1 TECHNICAL DATA

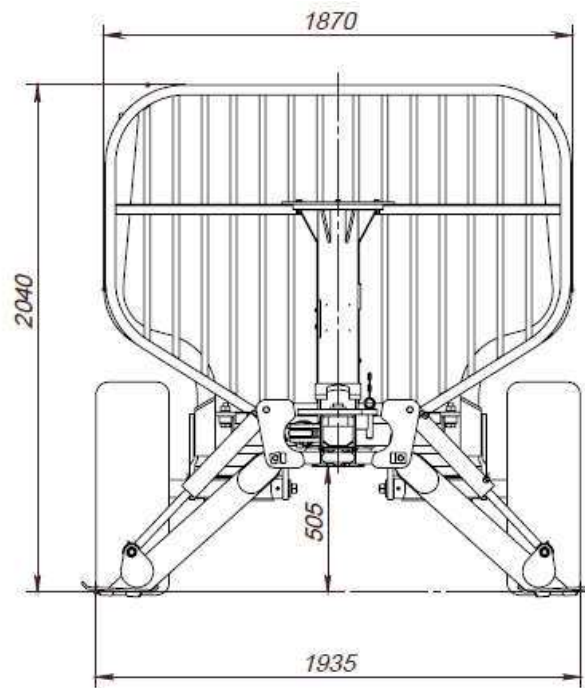
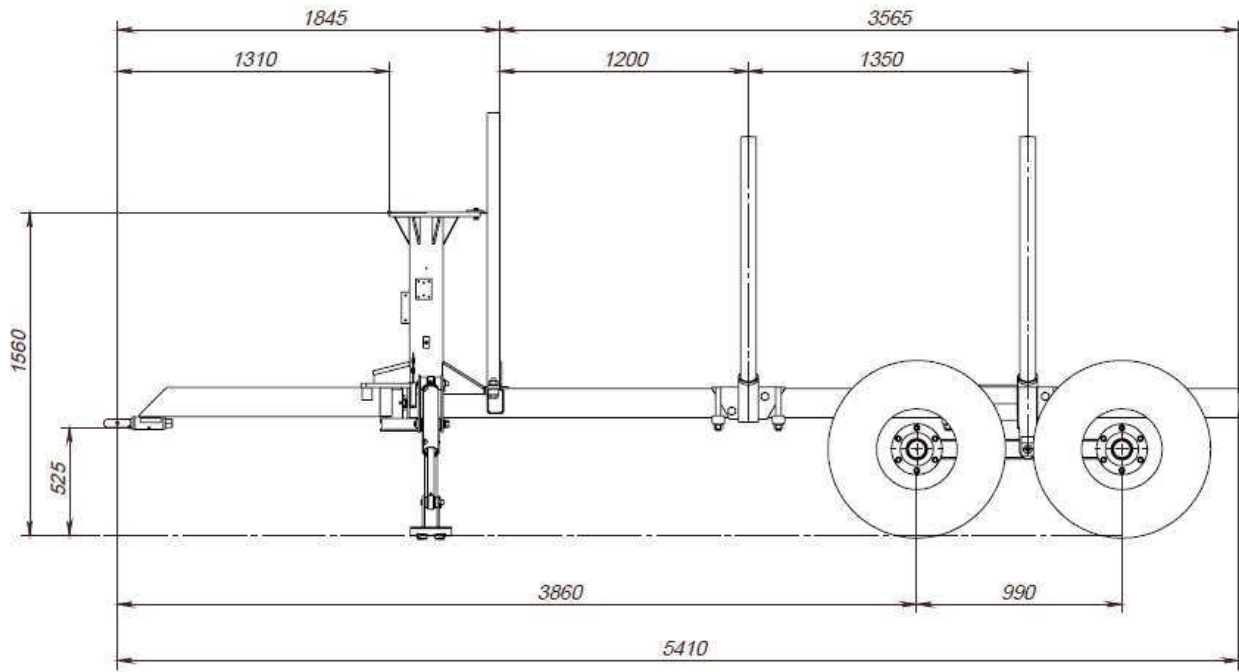
LUMBER TRAILER	T7	T7S	T8
Max. axle load	7000 kg	7000 kg	8000 kg
Loading area	1,95 m ²	1,95 m ²	1,95 m ²
Ground clearance	505 mm	515 mm	515 mm
Wheels/tires dimensions	11,5/80-15,3	400/60-15,5	400/60x15,5
Weight of basic trailer, kg	1110 kg	1180 kg	1310 kg
Steering angle with frame steering	40 degrees	40 degrees	40 degrees

REF: Farma Collection 201701

3.2 MAIN DIMENSIONS

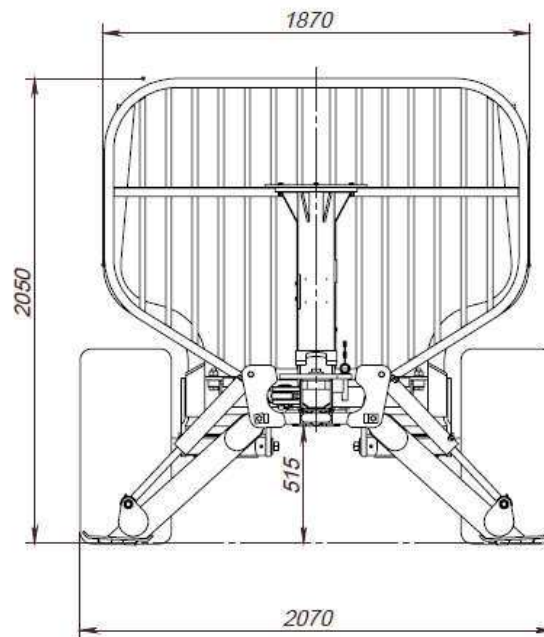
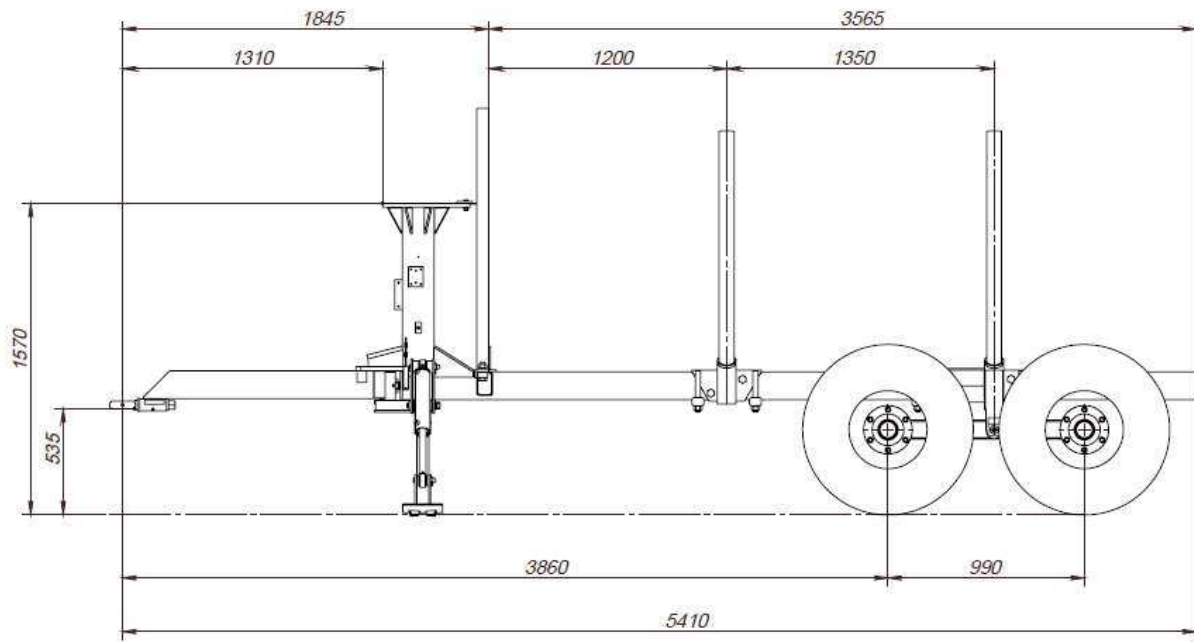
*These figures are for illustrative purposes only

FARMA T7



REF: 141202

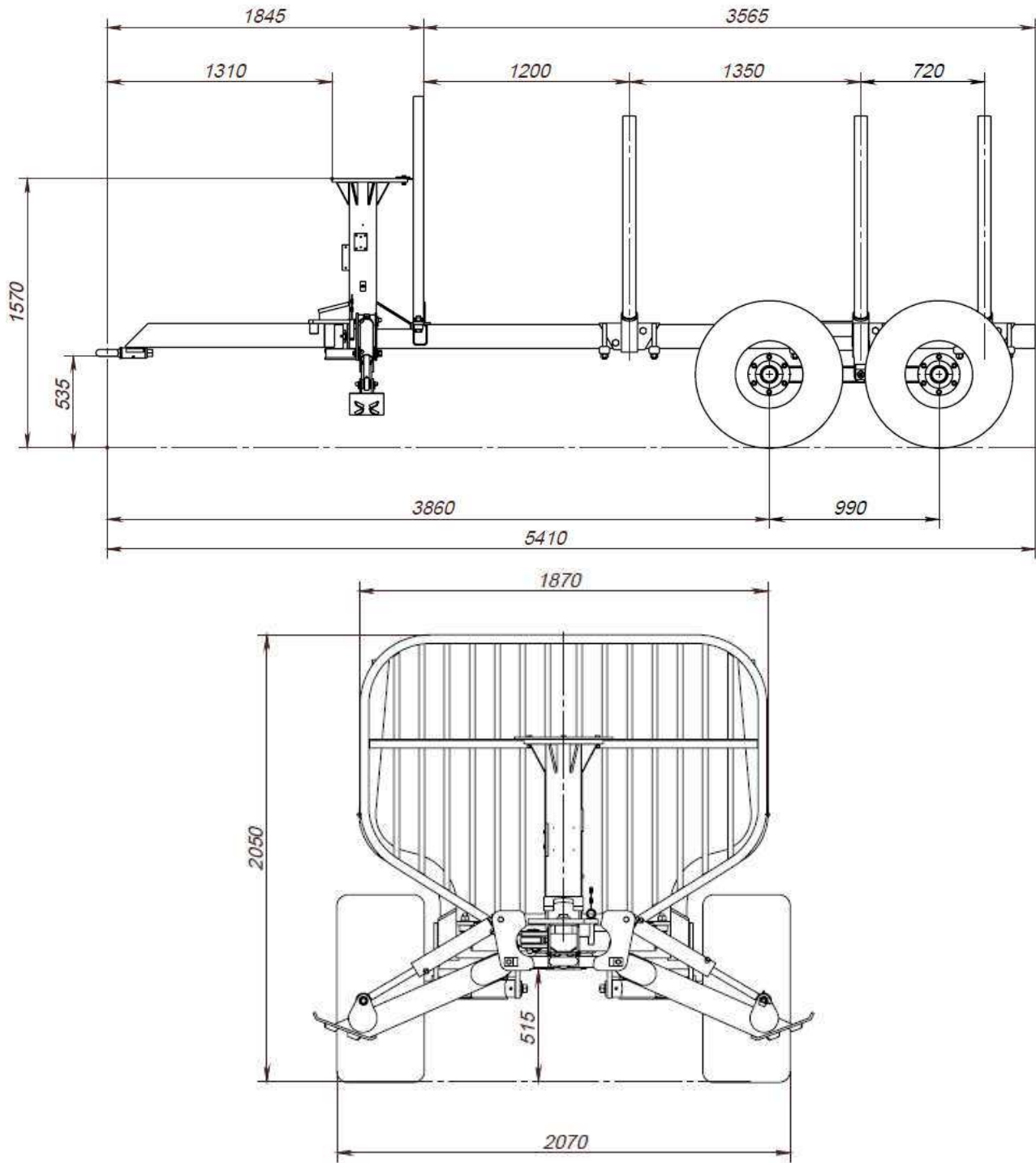
FARMA T7S



REF: 141202

Original instruction

FARMA T8



REF: 141202

4 EC DECLARATION OF CONFORMITY (SAMPLE)***EC Declaration of Conformity of the Machinery***

Manufacturer:

Fors MW AS

Tule 30

76505 Saue

Estonia

The technical file is compiled by **Priit Raud**;I hereby confirm that this **complete trailer FARMA T7/ T7S/ T8**:Trade mark: **FARMA**Function: **complete lumber trailer**Model: **T7/ T7S/ T8**Type: **FT** Variant: **T7/ T7S/ T8**VIN: **V60FT0007xx1xxxxx/ V60FTS007xx1xxxxx/ V60FT0008xx1xxxxx**Trade name: **FARMA T7/ T7S/ T8**Manufacture year: **xxxx**

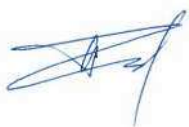
is manufactured accordingly to demands in **directive 2006/42/EC** and therefore can be used mounted together with other equipment to provide a complete machine.

The equipment can't be used before the machine or the formation that it will take place in, is accordingly to the demands of the EC Machinery directive.

For the guarantee and safety, it is of uttermost significance that the instruction book is read before the machine is put into service.

Saue, Estonia

2017-12-07



Priit Raud

CEO