



FARMMA®

Log lifter

1000

EN_S1.0-2019W11

Original instruction

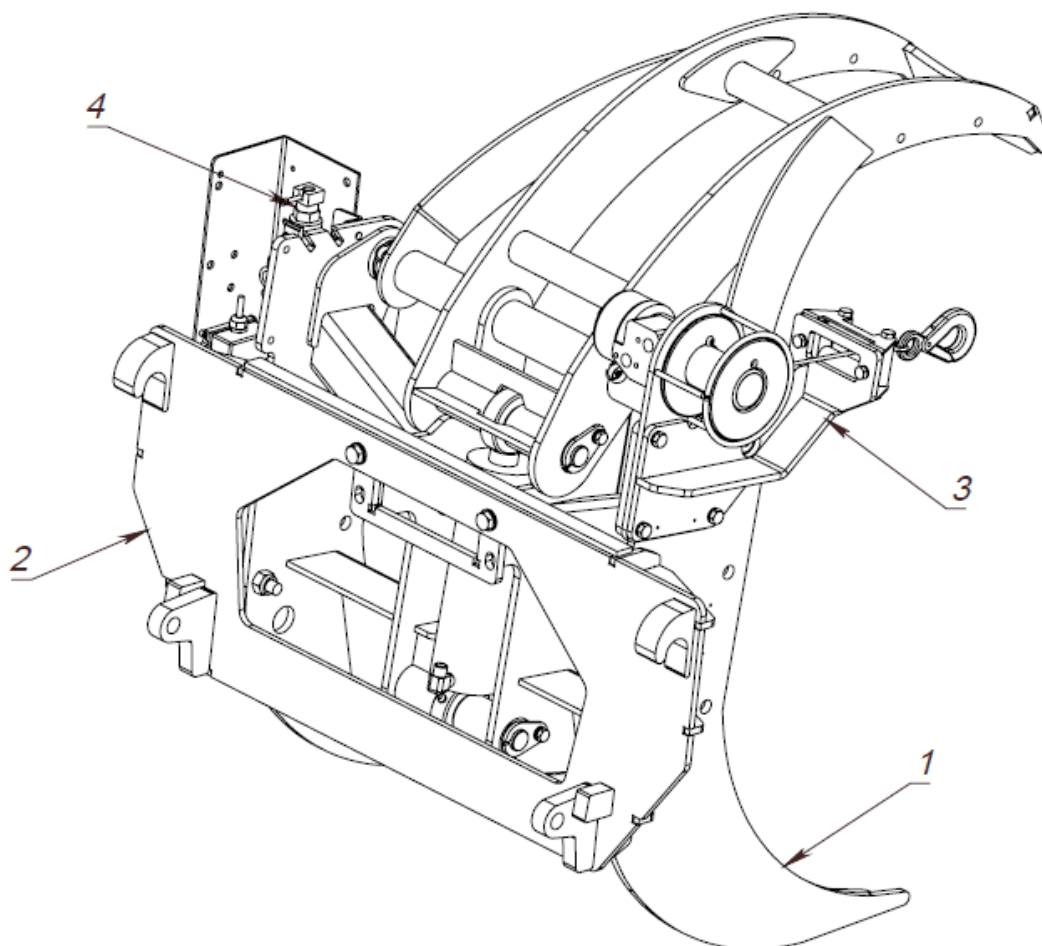
SPARE PARTS

SPARE PARTS

LOG LIFTER LL 1000

| | | |
|-----|---|----|
| 1 | SPARE PARTS | 2 |
| 1.1 | MAIN PARTS, LOG LIFTER WITH WINCH | 2 |
| 1.2 | MAIN PARTS, LOG LIFTER LL 1000 | 3 |
| 1.3 | ADAPTER FOR LOG LIFTER | 4 |
| 1.4 | WINCH | 5 |
| 1.5 | VALVE BRACKET | 6 |
| 1.6 | HYDRAULIC SCHEME, LOG LIFTER | 7 |
| 1.7 | HYDRAULIC SCHEME, WINCH | 8 |
| 2 | TECHNICAL SPECIFICATION | 9 |
| 2.1 | MEASUREMENTS & TECHNICAL DATA | 9 |
| 2.2 | MAIN DIMENSIONS | 10 |
| 2.3 | LUBRICATION POINTS | 11 |
| 3 | EC-DECLARATION OF CONFORMITY (SAMPLE) | 12 |

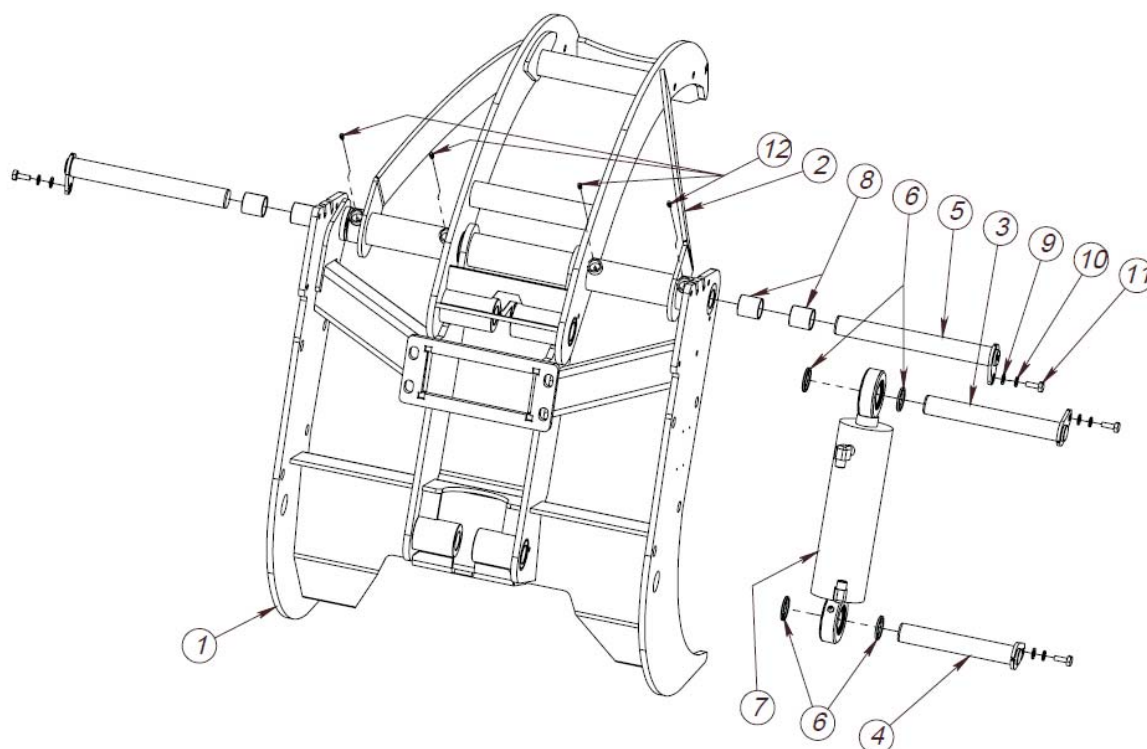
Original instruction

1 SPARE PARTS
1.1 MAIN PARTS, LOG LIFTER WITH WINCH

REF: 181107
Main parts for Farma log lifter with winch, FMWA00474

| ITEM NO. | PART NUMBER | DESCRIPTION | TYPE | QTY. |
|----------|-------------|---------------------|------|------|
| 1 | FMWA00455 | Loglift ASM | | 1 |
| 2 | FMWA00473 | Adapter for Loglift | | 1 |
| 3 | FMWA00471 | Winch | | 1 |
| 4 | FMWA00231 | Valve bracket | | 1 |

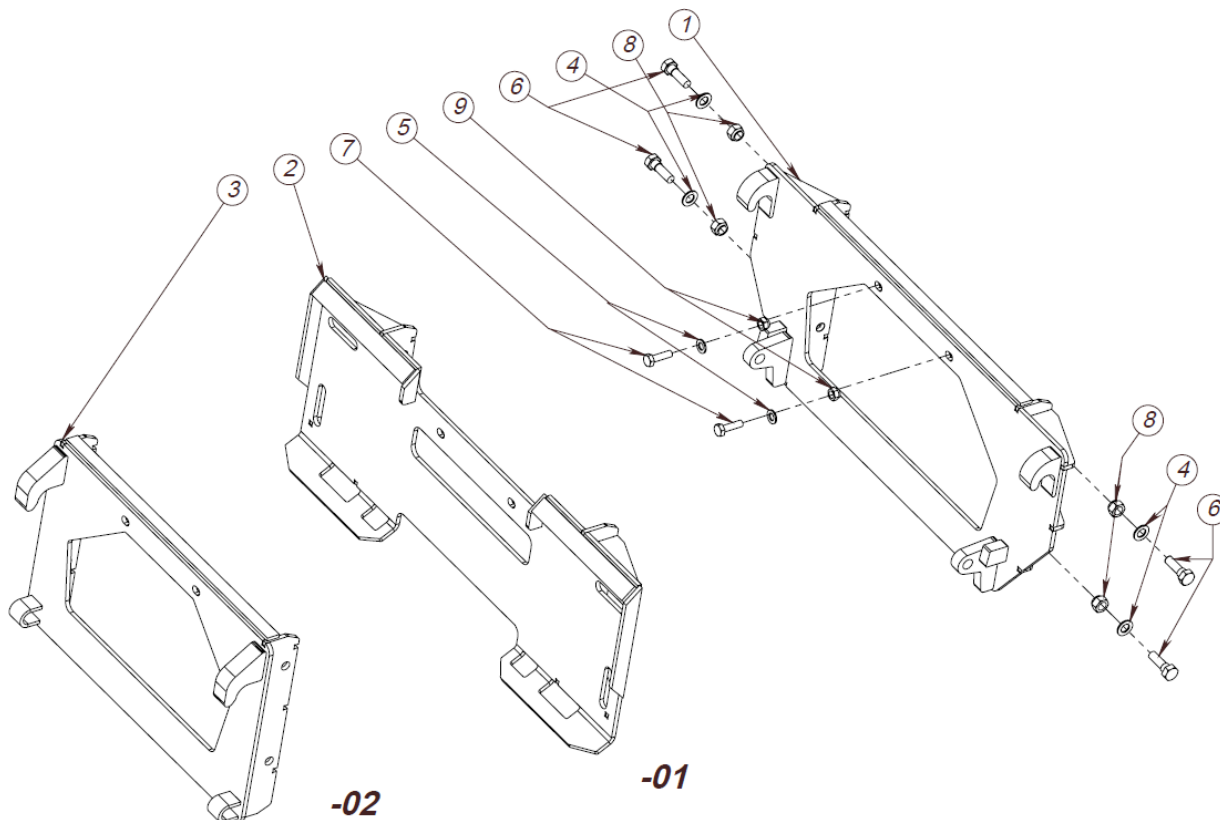
REF: 181107

Original instruction

1.2 MAIN PARTS, LOG LIFTER LL 1000

REF: 181127
Main parts Farma log lifter, FMWA00455

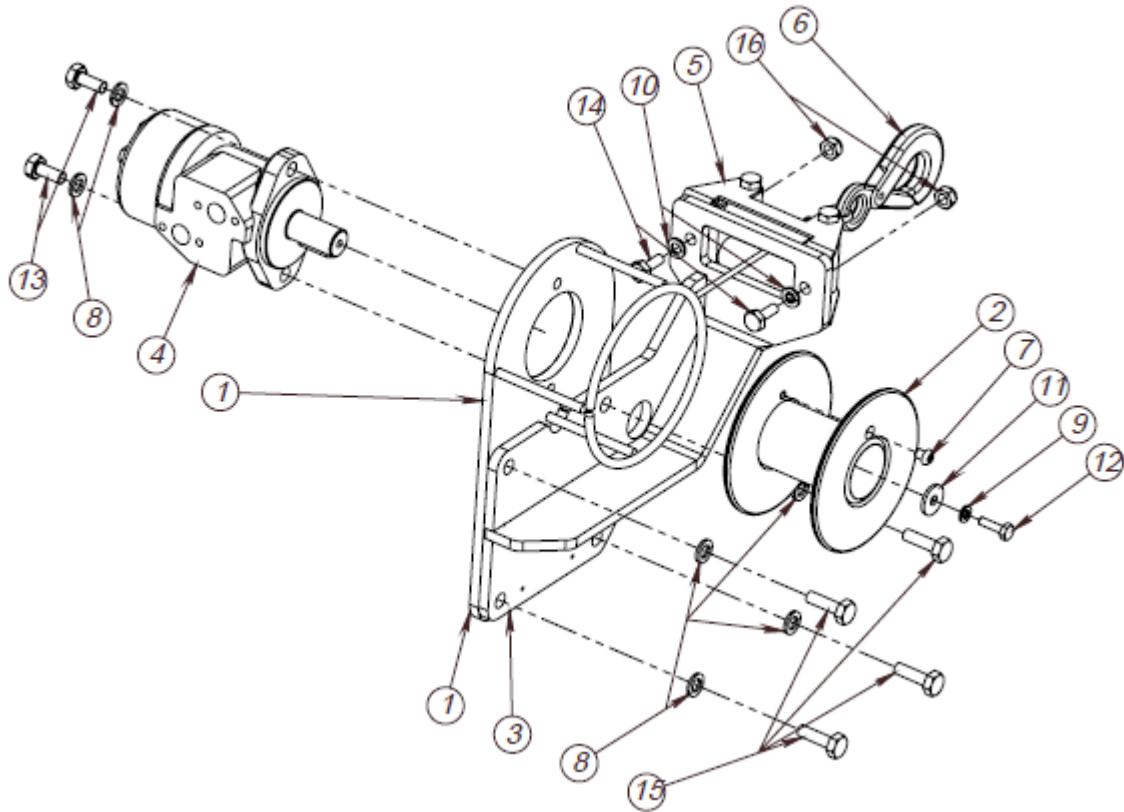
| ITEM NO. | PART NUMBER | DESCRIPTION | TYPE | QTY. |
|----------|--------------|-------------------------|---------------------|------|
| 1 | FMWS01006 | Bottom jaw | | 1 |
| 2 | FMWS01007 | Upper jaw | | 1 |
| 3 | FMWS01010 | Shaft | GrndØ35-271(260) | 1 |
| 4 | FMWS1010-01 | Shaft | GrndØ35-231(220) | 1 |
| 5 | FMWS01010-02 | Shaft | GrndØ35-311(300) | 2 |
| 6 | FMWP00083-03 | Ring | PLT4-D42xd36 | 4 |
| 7 | 313131 | Hyd cylinder | 80/40-200 | 1 |
| | 37313840-CN | Sealing kit for hyd cyl | 80/40 | 1 |
| 8 | 909146 | Slide Bearing | 35-39-40 P DIN 1494 | 4 |
| 9 | 908225 | Washer flat | M10 fzb DIN 125 | 4 |
| 10 | 908620 | Washer Spring | M10 fzb DIN 127 | 4 |
| 11 | 906173 | Bolt Hex. Cap | M10x25 fzb DIN 933 | 4 |
| 12 | 930107 | Grease nipple | M6 DIN 71412 | 4 |

REF: 181127

1.3 ADAPTER FOR LOG LIFTER

REF: 181127
Adapter for Farma log lifter, FMWA00473

| ITEM NO. | PART NUMBER | DESCRIPTION | TYPE | QTY. | -01 QTY. | -02 QTY. |
|----------|-------------|--------------------------|--------------------|------|----------|----------|
| 1 | FMWS01009 | Euro fitting for Loglift | | 1 | - | - |
| 2 | FMWS01008 | Skid steer fastening | | - | 1 | - |
| 3 | FMWS01069 | Trima fitting | | - | - | 1 |
| 4 | 908270 | Washer flat | M20 fzb DIN 125 | 4 | 4 | 4 |
| 5 | 908267 | Washer flat | M16 fzb DIN 125 | 2 | 2 | 2 |
| 6 | 906241 | Bolt Hex. Cap | M20x60 DIN 931 | 4 | 4 | 4 |
| 7 | 906228 | Bolt Hex. Cap | M16x50 fzb DIN 933 | 2 | 2 | 2 |
| 8 | 907246 | Nut Hex. Nylock | M20 fzb DIN 985 | 4 | 4 | 4 |
| 9 | 907237 | Nut Hex. Nylock | M16 fzb DIN 985 | 2 | 2 | 2 |

REF: 181127

1.4 WINCH

REF: 181109
Winch for Farma log lifter, FMWA00471

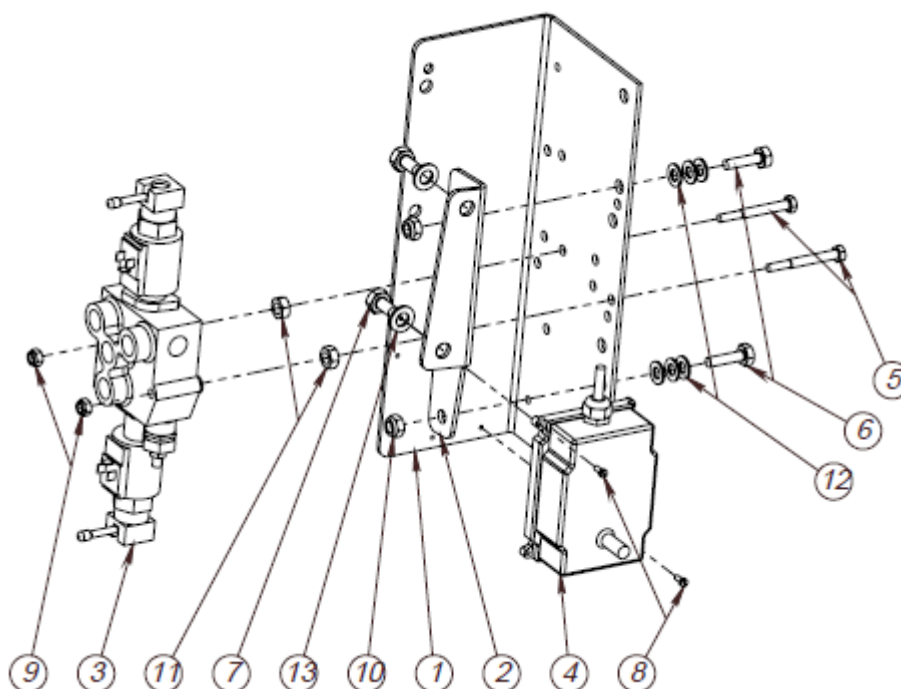
| ITEM NO. | PART NUMBER | DESCRIPTION | TYPE | QTY. |
|----------|-------------|---------------------------|-----------------|------|
| 1 | FMWS00646 | Winch wall | | 1 |
| 2 | FMWS00645 | Winch drum | | 1 |
| 3 | FMWS01063 | Winch bracket | | 1 |
| 4 | 915315 | Hydraulic motor | 100cc orbit | 1 |
| 5 | 920410 | Winch roller | | 1 |
| 6 | 920243 | Winch wire 30m, 5mm+ hook | | 1 |
| 7 | 906171 | Hex. soc. screw | M8x10 DIN 7380 | 1 |
| 8 | 908625 | Washer Spring | M12 fzb DIN127 | 6 |
| 9 | 908615 | Washer Spring | M8 fzb DIN 127 | 1 |
| 10 | 908620 | Washer Spring | M10 fzb DIN 127 | 2 |
| 11 | 9082212 | Washer | M8 DIN 440 R | 1 |

Original instruction

| | | | | |
|----|--------|-----------------|--------------------|---|
| 12 | 906160 | Bolt Hex. Cap | M8x25 fzb DIN 933 | 1 |
| 13 | 906192 | Bolt Hex. Cap | M12x25 fzb DIN 933 | 2 |
| 14 | 906173 | Bolt Hex. Cap | M10x25 fzb DIN 933 | 2 |
| 15 | 906198 | Bolt Hex. Cap | M12x35 fzb DIN 933 | 4 |
| 16 | 907219 | Nut Hex. Nylock | M10 fzb DIN 985 | 2 |

REF: 181109

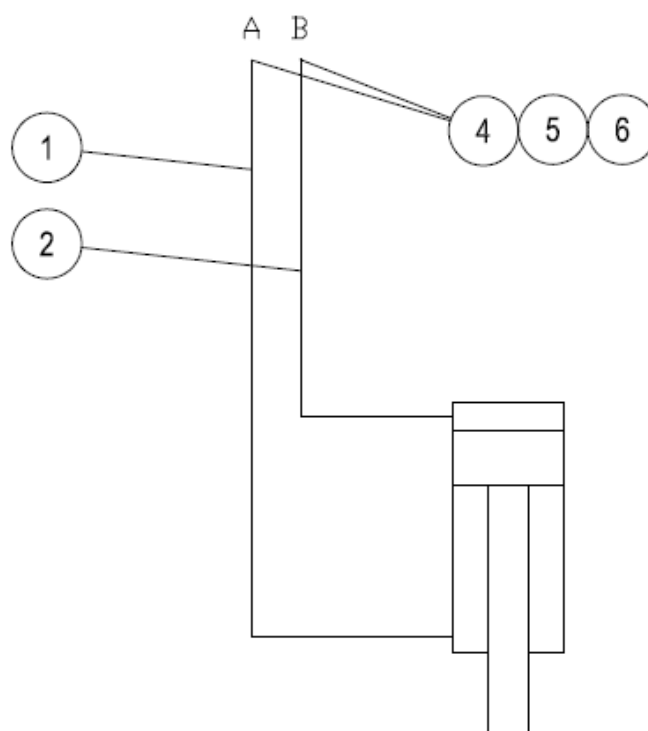
1.5 VALVE BRACKET


REF: 181109
Valve bracket, FMWA00231

| ITEM NO. | PART NUMBER | DESCRIPTION | TYPE | QTY. |
|----------|-------------|--------------------|-----------------------|------|
| 1 | FMWP03408 | Winch valve holder | PLT4 - 400x283 | 1 |
| 2 | FMWP05992 | Plate | PLT4-250x111 | 1 |
| 3 | 915139 | Hydraulic valve | M45/1 el on/off winch | 1 |
| 4* | 915155-R | Radio for winch | - | 1 |
| 5 | 906524 | Bolt Hex. Cap | M8x70 DIN 931 | 2 |
| 6 | 906176 | Bolt Hex. Cap | M10x35 fzb DIN 933 | 2 |
| 7 | 906191 | Bolt Hex. Cap | M12x20 DIN 933 | 2 |
| 8 | 906120 | Bolt Slotted | M4x10 DIN 84 | 2 |

Original instruction

| | | | | |
|----|--------|-----------------|-----------------|---|
| 9 | 907213 | Nut Hex. Nylock | M8 fzb DIN 985 | 2 |
| 10 | 907219 | Nut Hex. Nylock | M10 fzb DIN 985 | 2 |
| 11 | 907215 | Nut Hex. | M10 fzb DIN 934 | 2 |
| 12 | 908225 | Washer flat | M10 fzb DIN 125 | 6 |
| 13 | 908229 | Washer flat | M12 fzb DIN 125 | 2 |

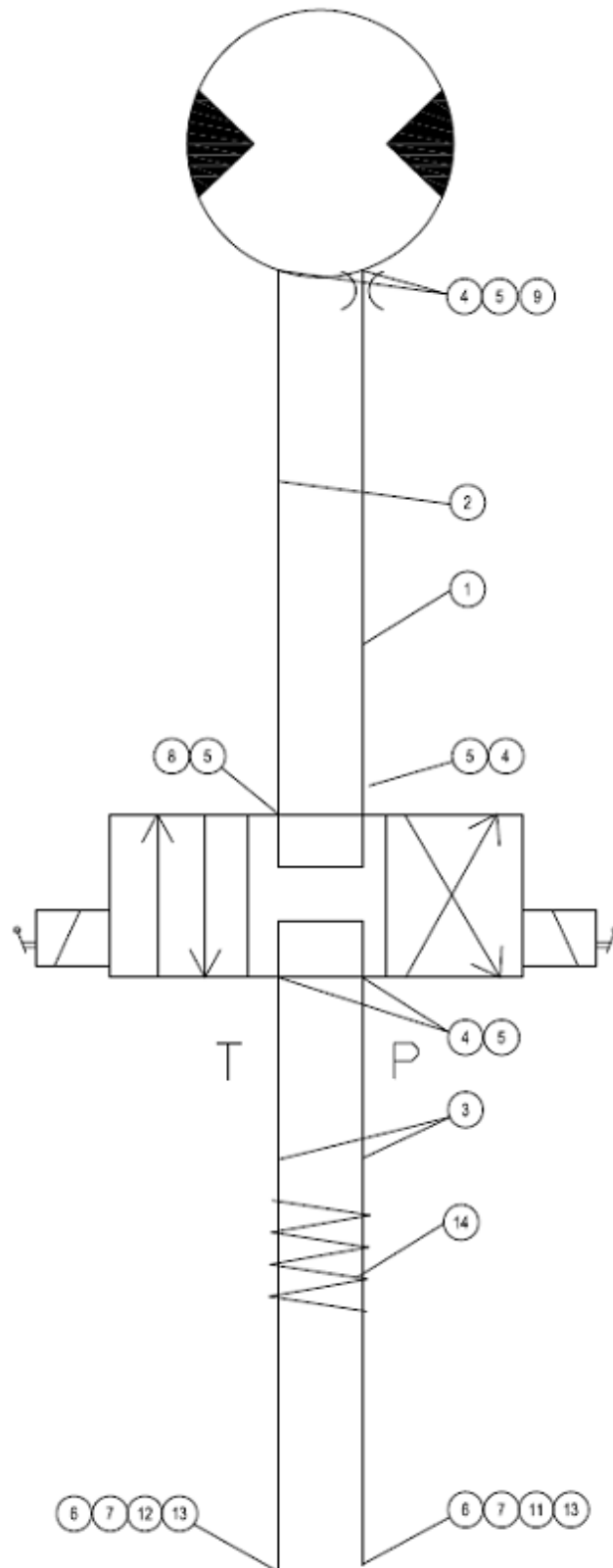
**Radio includes remote control box.*
REF: 181109
1.6 HYDRAULIC SCHEME, LOG LIFTER

REF: 181129
Hydraulic scheme Farma log lifter, FMWH00039

| ITEM NO. | PART NUMBER | DESCRIPTION | TYPE | QTY. |
|----------|-------------|------------------|-------------------------------|------|
| 1 | FMWH00729 | Hose | 42010606-3/8''(1550)-42020806 | 1 |
| 2 | FMWH00730 | Hose | 42010606-3/8''(1370)-42020806 | 1 |
| 4 | 914584 | Rubber seal | 5601-01-08 | 2 |
| 5 | 914570 | Bayonet coupling | 5550-02-08 M1/2'' MALE ISO-A | 2 |
| 6 | 914579 | Dust cover | 5550-04-08 Black | 2 |

FEF: 181129

Original instruction

1.7 HYDRAULIC SCHEME, WINCH



REF: 181129

Original instruction

Hydraulic scheme Farma log lifter winch, FMWH00039_1

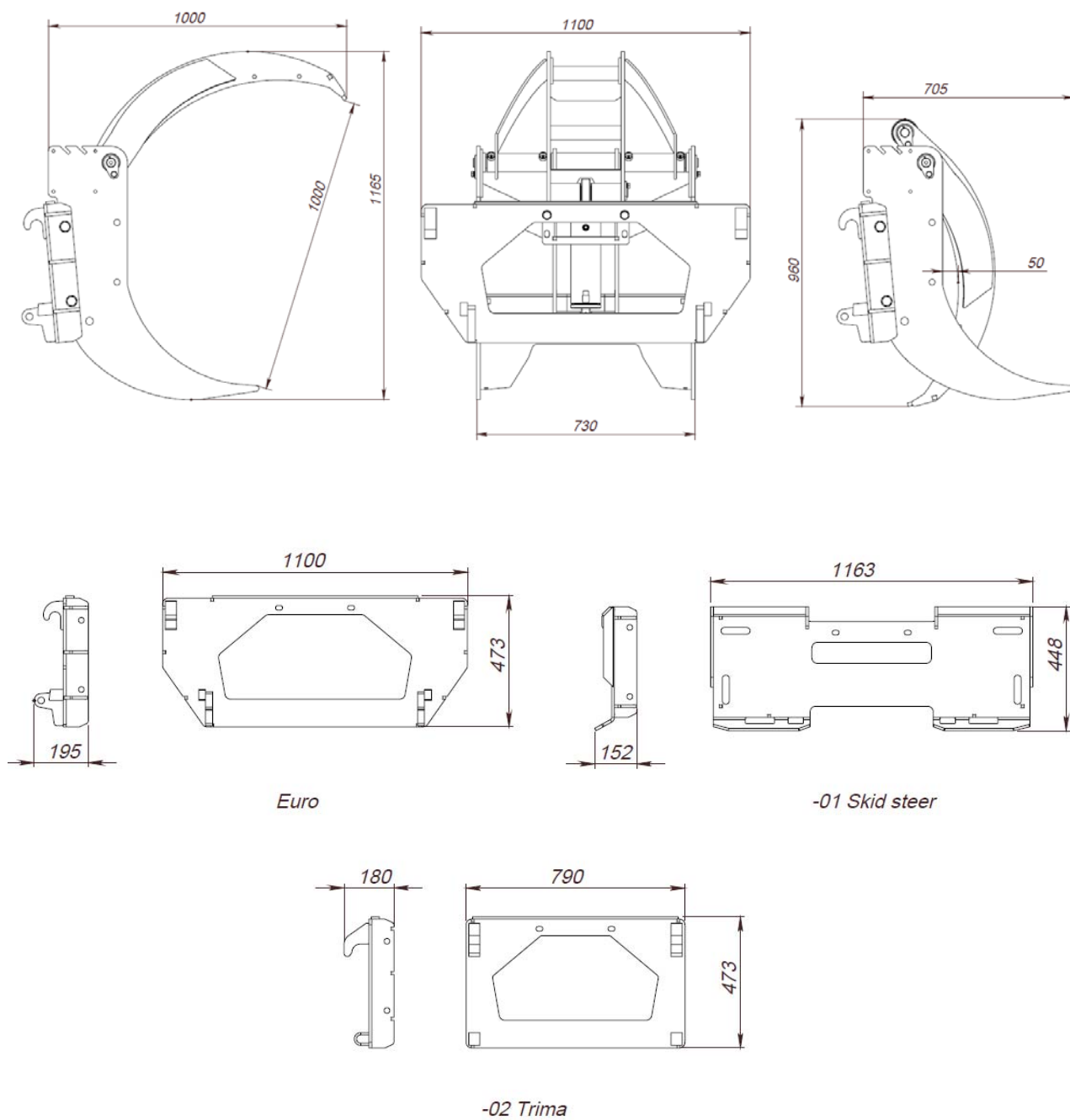
| ITEM NO. | PART NUMBER | DESCRIPTION | TYPE | QTY. |
|----------|-------------|-------------------------|----------------------------------|-------|
| 1 | FMWH00726 | Hose | 42030606-3/8"(1770)- 42030606 | 1 |
| 2 | FMWH00727 | Hose | 42030606-3/8"(1720)- 42030606 | 1 |
| 3 | FMWH00728 | Hose | 42030606-3/8"(870)- 42020806 | 2 |
| 4 | 914716 | Straight nipple | 7002-06-06 | 4 |
| 5 | 914582 | Rubber seal | 5601-01-06 | 8 |
| 6 | 914570 | Bayonet coupling | 5550-02-08 M 1/2" MALE ISO-A | 2 |
| 7 | 914579 | Dust cover | 5550-04-08 Black | 2 |
| 8 | 914705 | Cartridge nipple | 7090-06-06 | 1 |
| 9 | FMWP06833 | Straight nipple (choke) | 7092-06-08 | 1 |
| 11 | 925032 | Label No2 Pump Red | | 1 |
| 12 | 925034 | Label No3 Tank Blue | | 1 |
| 13 | 922227 | Heat-shrink tubing | SRIF 25,4-12,7 | 0,18m |
| 14 | 930320 | Spiro pipe | 32x3 | 1m |

REF: 181129
2 TECHNICAL SPECIFICATION
2.1 MEASUREMENTS & TECHNICAL DATA

| Technical data | LL 1000 |
|-------------------------|-------------|
| Max. grapple opening | 1000 mm |
| Max. height | 1165 mm |
| Max. pressure | 190 MPa |
| Recommended oil flow | 20-40 l/min |
| Weight, without fitting | 165 kg |
| Winch set | 42 kg |
| Adapter (Euro) | 42 kg |
| Adapter (Trima) | 46 kg |
| Adapter (Skidsteer) | 30 kg |

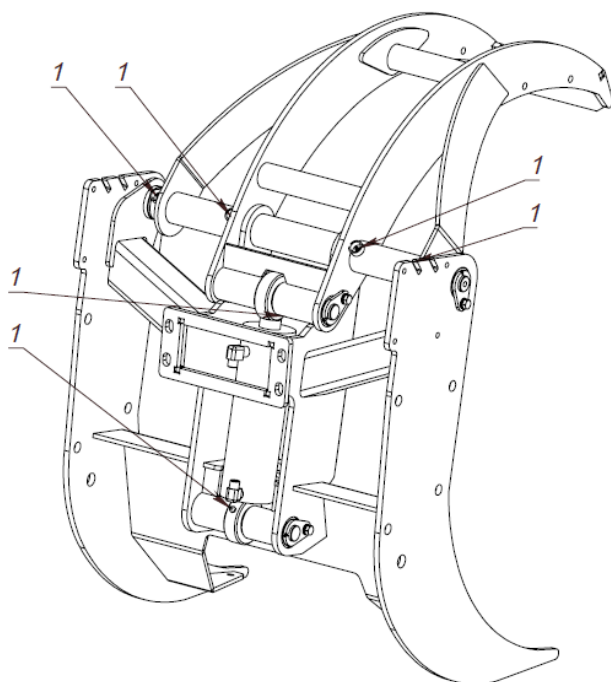
Original instruction

2.2 MAIN DIMENSIONS



Original instruction

2.3 LUBRICATION POINTS



3 EC-DECLARATION OF CONFORMITY (SAMPLE)

EC Declaration of Conformity of the Machinery

Manufacturer:

Fors MW AS

Tule 30

76505 Saue

Estonia

The technical file is compiled by **Ahti Talts**;

I hereby confirm that this equipment, **FARMA Log Lifter 1000**:

Trade mark: **FARMA**

Function: **interchangeable equipment**

Type: **FLL** variant: **1000**

Serial no.: **FLL010*01*******

Trade name: **FARMA Log Lifter 1000**

Trade name: Farma RW600F

Type: FW Variant: RW600F

Serial no: FW060F*01*****

Manufacture year: **xxxx**

is manufactured accordingly to demands in **directive 2006/42/EC** and therefore can be used mounted together with other equipment to provide a complete machine.

The equipment can't be used before the machine or the formation that it will take place in, is accordingly to the demands of the EC Machinery directive.

For the guarantee and safety, it is of uttermost significance that the instruction book is read before the machine is put into service.

Saue, Estonia

2019-03-12



Ahti Talts, CEO