



FARMA®

Farma Crane

C5.3 G2

C6.3 G2

EN_S3.1-2019W15

Original instruction

SPARE PARTS

SPARE PARTS

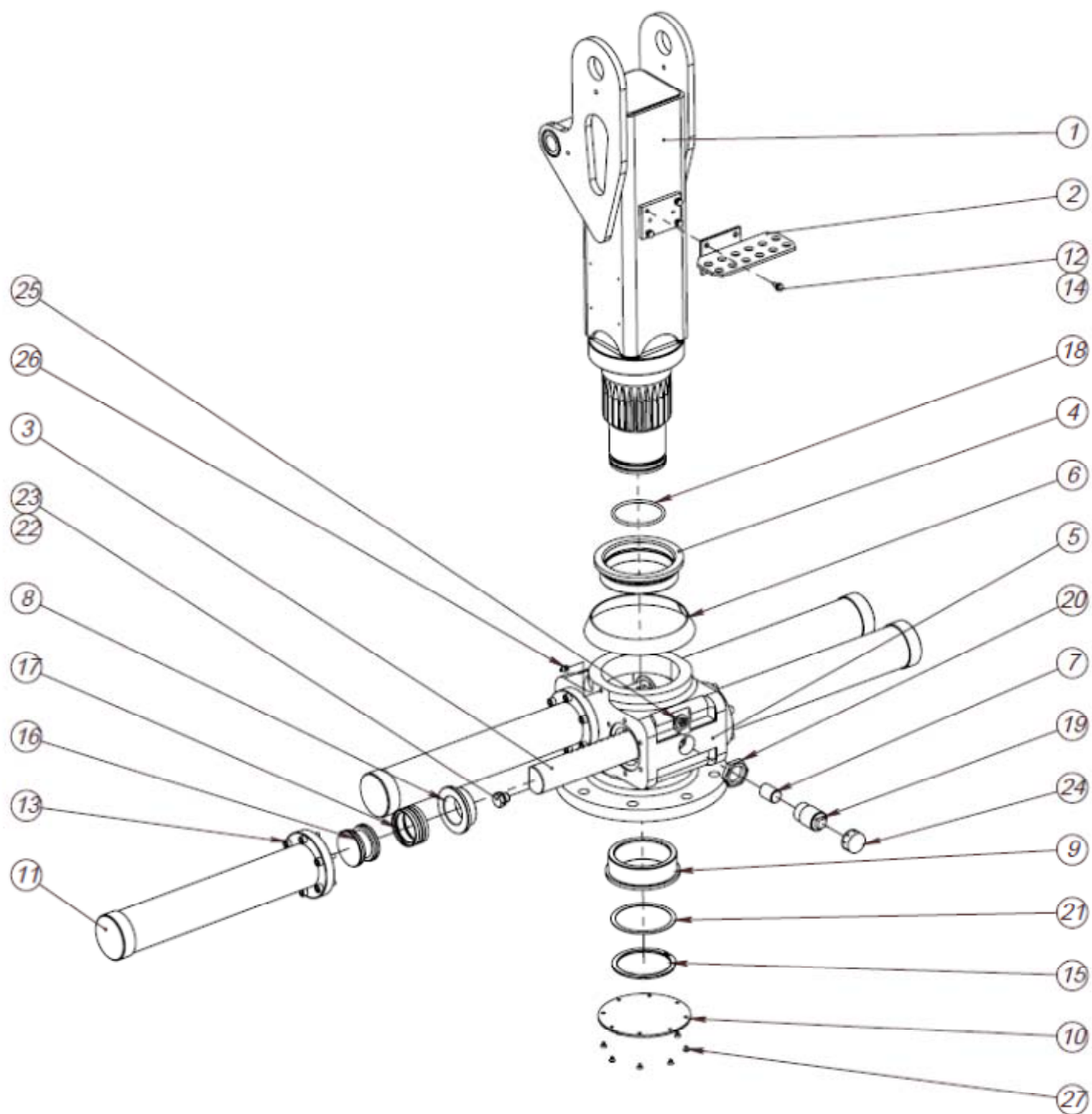
C5,3/C6,3 G2

TABLE OF CONTENTS

1	SPARE PARTS	2
1.1	TURNHOUSE C5,3/C6,3 8 kNm ASM.....	2
1.2	TURNHOUSE C5,3/C6,3 D 10 kNm ASM	4
1.3	MAIN BOOM C5,3/C6,3 ASM.....	6
1.4	OUTERBOOM C5,3 ASM	8
1.5	OUTERBOOM C6,3 ASM	9
1.6	HYDRAULIC SCHEME C5,3	11
1.7	HYDRAULIC SCHEME C5,1/C5,3 FOR LEVERS.....	13
1.8	HYDRAULIC SCHEME C6,3	15
1.9	HYDRAULIC SCHEME C6,3, FOR LEVERS	17
2	TECHNICAL SPECIFICATIONS	20
2.1	MAIN PARTS & DIMENSIONS.....	20
2.2	TECHNICAL DATA.....	21
2.3	LIFTING DIAGRAM C5,3	22
2.4	LIFTING DIAGRAM C6,3	22
3	EC-DECLARATION OF CONFORMITY (SAMPLE).....	23

1 SPARE PARTS

1.1 TURNHOUSE C5,3/C6,3 8 kNm ASM



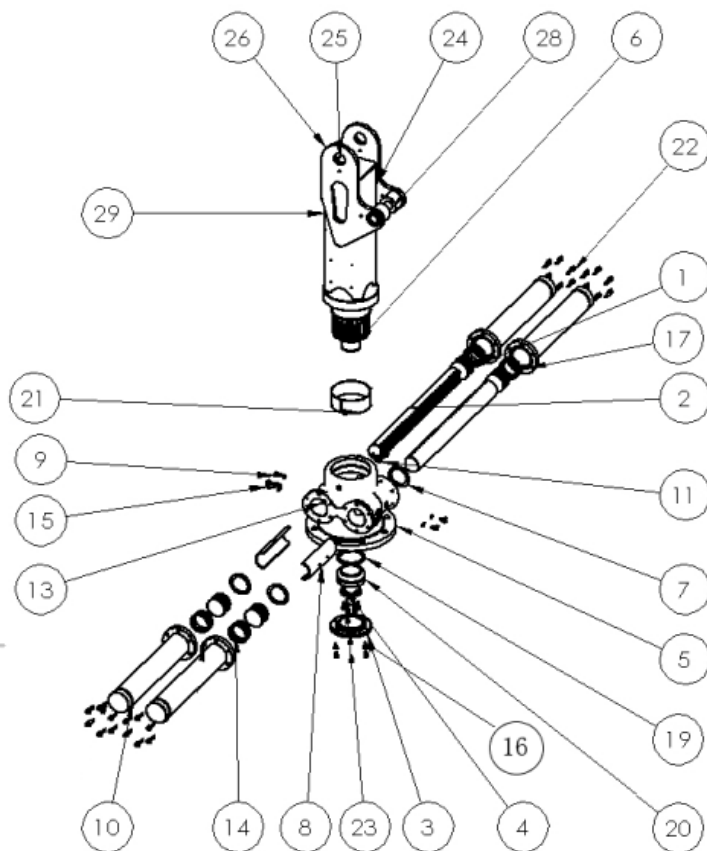
REF: 151211

Turnhouse C5.3/C6.3 8 kNm ASM, FMWA00168/prolonged FMWA00168-01

ITEM NO.	PART NUMBER	DESCRIPTION	TYPE	QTY.
1	FMWS00138	Column	8 kNm	1
1*	FMWS00138-01	Column prolonged	8 kNm	1
2	FMWS00207	Adapter holder	C4.6/5.3/6.3	1
3	FMWP00589	Rack 8 kNm	GrndØ60h9 - 675	2
4	FMWP00590	Glide bearing (8T)	-	1
5	FMWP00592	Body (Turnhouse 8 kNm)	-	1
6	FMWP00619	Water Protection-Middle	-	1
7	FMWP00621	Support 8	RndØ28 - 40	2
8	FMWP00704	Glide bearing (8S)	-	4
9	FMWP00705	Glide bearing (8B)	-	1
10	FMWP04761	Bottom cover	PLT4-189x189	1
11	312225	Hydraulic cylinder	90/80-500	4
12	906154	Bolt Hex. Cap	M8x16 fzb DIN 933	4
13	906528	Bolt Hex. Socket	M10x35 DIN 912	24
14	908615	Washer Spring	M8 fzb DIN 127	4
15	911280	Lock ring	SGA 115 DIN 471	1
16	912230	Piston 80	-	4
17	912235	Simco sealing	80x60x22,4	4
18	912240	O-ring	104,0x5,7	1
19	912250	Pusher/Bolt 8	RND50 - 70	2
20	912255	Contra nut	G1 1/4" DIN 2950	2
21	912265	Shim ring	133x115x1,5	1
22	914584	Rubber seal 1/2"	5601-01-08	1
23	914792	Plug 1/2"	7501-00-08	1
24	920396	Threaded plastic plug	EP510 G1 1/4"	1
25	920398	Plug 1/2" + sealing	Plastic, DIN 906	1
26	930105	Lubricating nipple	1/8" DIN 71412	1
27	906545	Bolt Hex. Socket	M6x8 DIN 7991	8

*Prolonged turnhouse length 1405 mm

REF: 190320

1.2 TURNHOUSE C5,3/C6,3 D 10 kNm ASM

REF: 190409
Turnhouse C5.3/C6.3 10 kNm ASM, FMWA00408/Prolonged FMWA00408-01

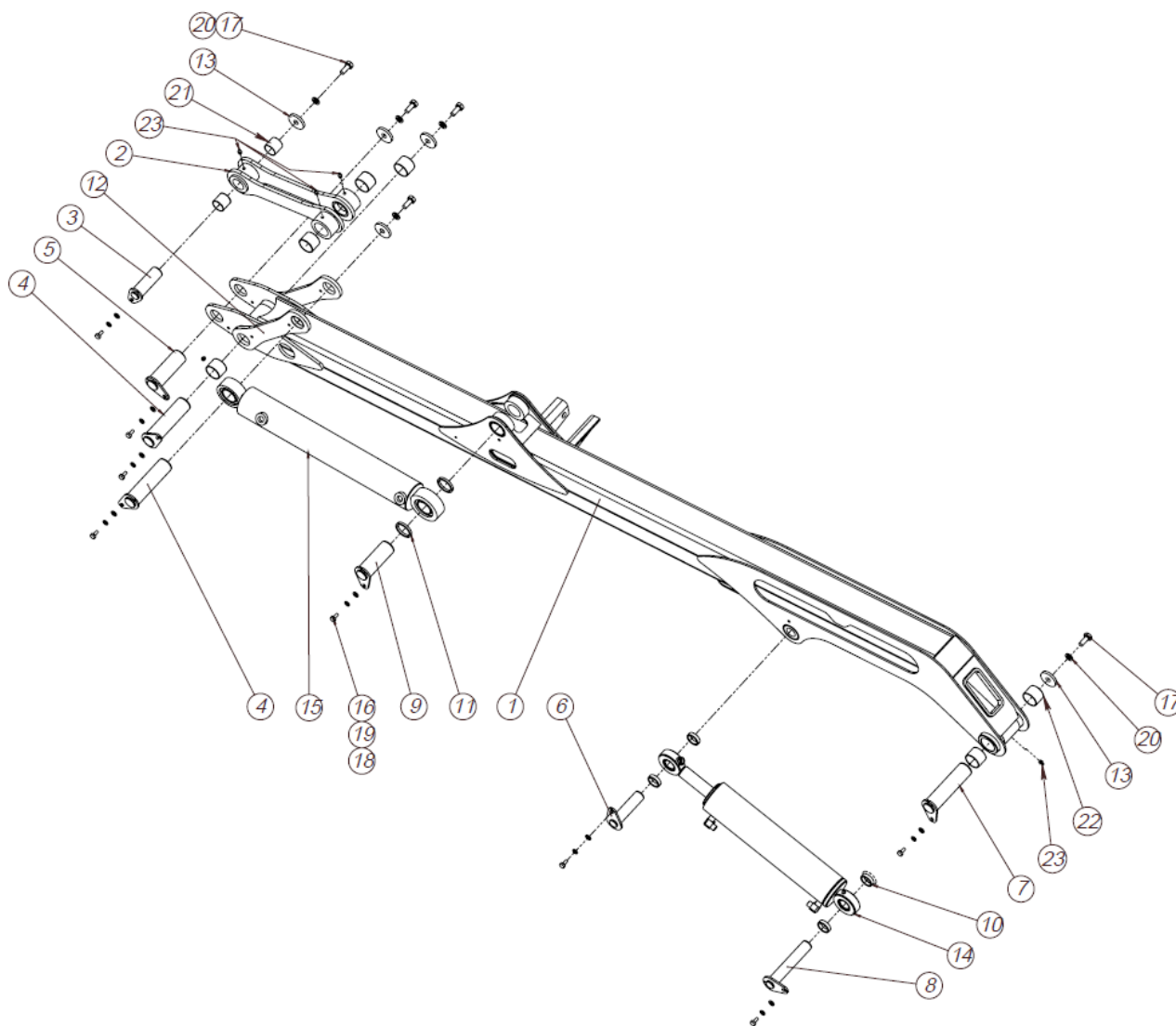
ITEM NO.	PART NUMBER	DESCRIPTION	TYPE	QTY.
1	FMWP00591	Piston 80	-	4
2	FMWP04123	Rack 10 kNm	-	2
3	FMWP04124	Cover	RND160-23	1
4	FMWP04125	Washer	D80	1
5	FMWP04129	Body	10kNm	1
6	FMWS00138-02	Column	10 kNm	1
6*	FMWS00138-03	Column prolonged	10 kNm	1
7	FMWP04682	Washer	PLT2-89x89	4
8	FMWP04843	Slidepad 10kNm	PA6	2
9	FMWP05194	Set bolt	Hex17xM10x1-23	4
10	312401	Slewing Cylinder 10 kNm	80-438	4

11	914584	Rubber seal	5601-01-08	6
12	914578	Rubber seal	5601-01-02; 1/8"	4
13	930105	Lubricating nipple	1/8" DIN 71412	2
14	912235	Simco sealing	80x60x22,4	4
15	914792	Plug 1/2"	7501-00-08	2
16	916507	Bolt Hex. Socket	M8x16 DIN 912	6
17	912314	O-ring	Ø96,0x3,0	4
18	912237	O-ring	112x3 DIN 3771	1
19	911141	Lock-ring SGH	105, DIN 472	1
20	910330	Bearing	GE 70 ES	1
21	909119	Slide bearing	150 155 60 M	1
22	906528	Bolt Hex. Socket	M10x35 DIN 912	24
23	906160	Bolt Hex. Cap	M8x25 DIN 933	6

**Prolonged turnhouse length 1405 mm*

REF: 19049

1.3 MAIN BOOM C5,3/C6,3 ASM

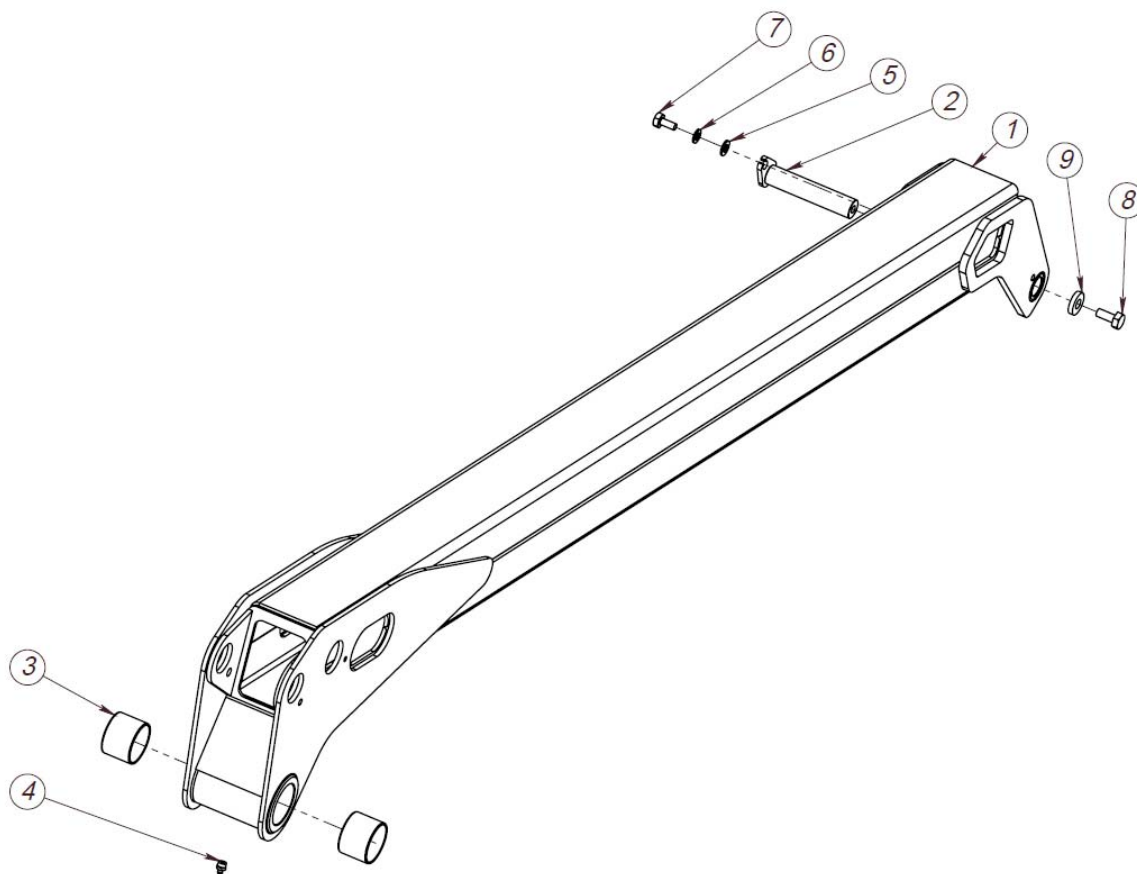


REF: 151211

Main boom C5,3/C6,3 ASM, FMWA00163

ITEM NO.	PART NUMBER	DESCRIPTION	TYPE	QTY.
1	FMWA00163	Mainboom	C5.3/C6.3	1
2	FMWA00164	Link Inside	C5.3/C6.3	1
3	FMWS00118-01	Shaft	GrndØ40-125(114)	1
4	FMWS00144	Shaft	GrndØ50-196(185)	2
5	FMWS00145	Shaft	GrndØ50-151(140)	1
6	FMWS00146	Shaft	GrndØ35-146(135)	1
7	FMWS00147	Shaft	GrndØ50-203(192)	1
8	FMWS00148	Shaft	GrndØ35-206(195)	1
9	FMWS00149	Shaft	GrndØ50-146(135)	1
10	FMWP00083-01	Ring	STØ42,3x3,4 - 12	4
11	FMWP00596	Shim	HB63/50 - 7	2
12	FMWP00597	Outside Link C5,3/C6,3	PLT12 - 445x90	2
13	FMWP01100	Lock Washer	PLT8-60x60	5
14	313146	Hydraulic cylinder	100/40-400	1
-	37313140-CN	Sealing kit	Hydr cyl 100/40	1
15	313150	Hydraulic cylinder	90/40-550	1
-	37313940	Sealing kit	Hydr cyl 90/40	1
16	906173	Bolt Hex. Cap	M8x20 fzb DIN 933	8
17	906225	Bolt Hex. Cap	M16x35 fzb DIN 933	5
18	908225	Washer flat	M10 fzb DIN 125	8
19	908620	Washer Spring	M10 fzb DIN 127	8
20	908630	Washer Spring	M16 fzb DIN 127	5
21	909149	Slide bearing	40-44-40 P	2
22	909150	Slide bearing	50-55-40 P DIN 1494	6
23	930105	Grease nipple	1/8" DIN 71412	5

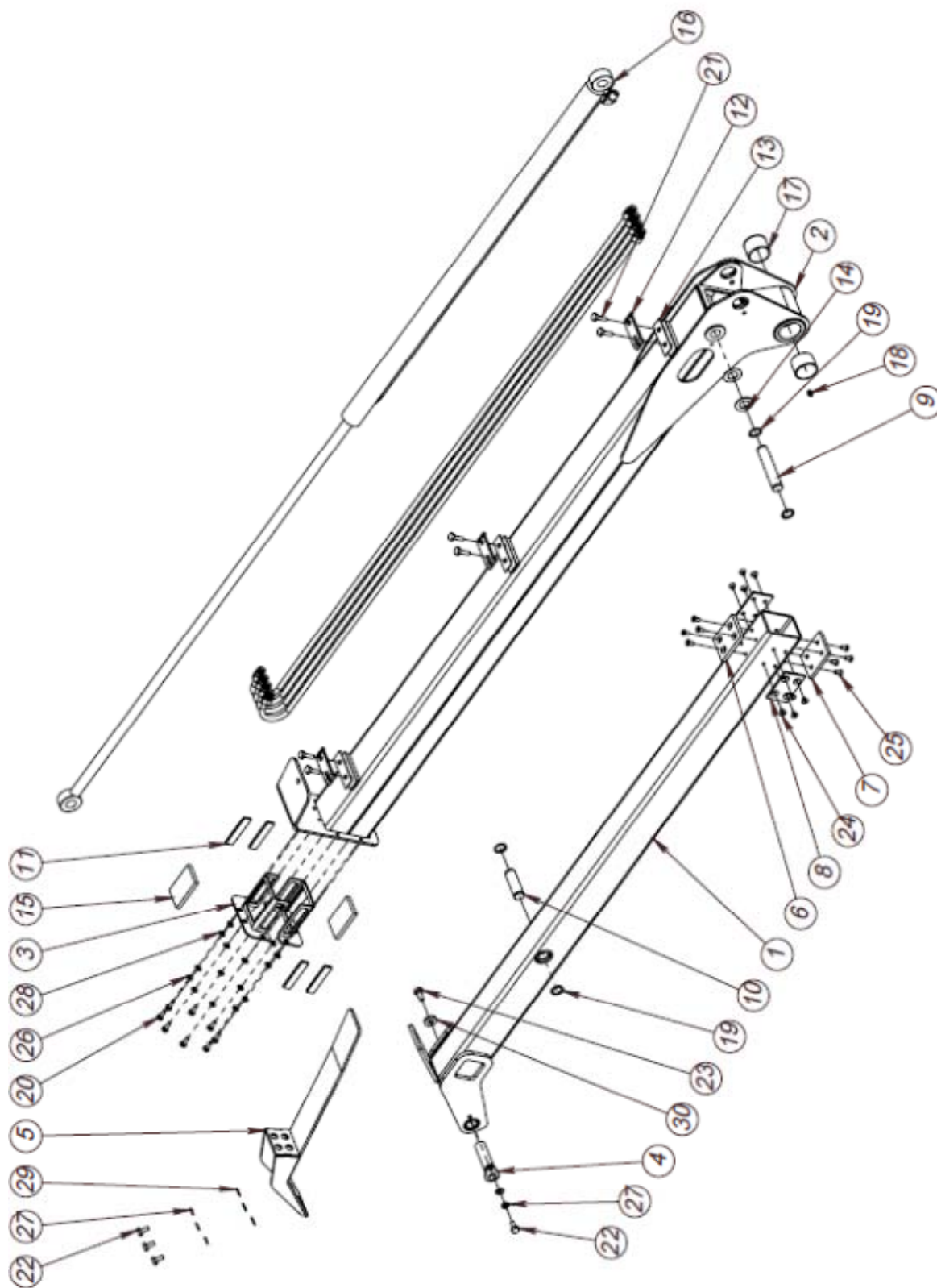
REF: 161026

1.4 OUTERBOOM C5,3 ASM

REF: 160808
Outerboom C5,3 ASM, FMWA00182

ITEM NO.	PART NUMBER	DESCRIPTION	TYPE	QTY.
1	FMWS00143	Outerboom	C5,3	1
2	FMWS00591-14	Shaft	GrndØ25h9 - 131(122)	1
3	909150	Slide bearing	50x55x40 DIN1494	2
4	930105	Lubricating nipple	1/8" DIN 71412	1
5	908225	Washer flat	M10 fzb DIN 125	1
6	908620	Washer Spring	M10 fzb DIN 127	1
7	906170	Bolt Hex. Cap	M10x20 fzb DIN 933	1
8	906192	Bolt Hex. Cap	M12x25 fzb DIN 933	1
9	907537	Heavy duty flat washer	M12 fzb DIN 7349	1

REF: 160808

1.5 OUTERBOOM C6,3 ASM

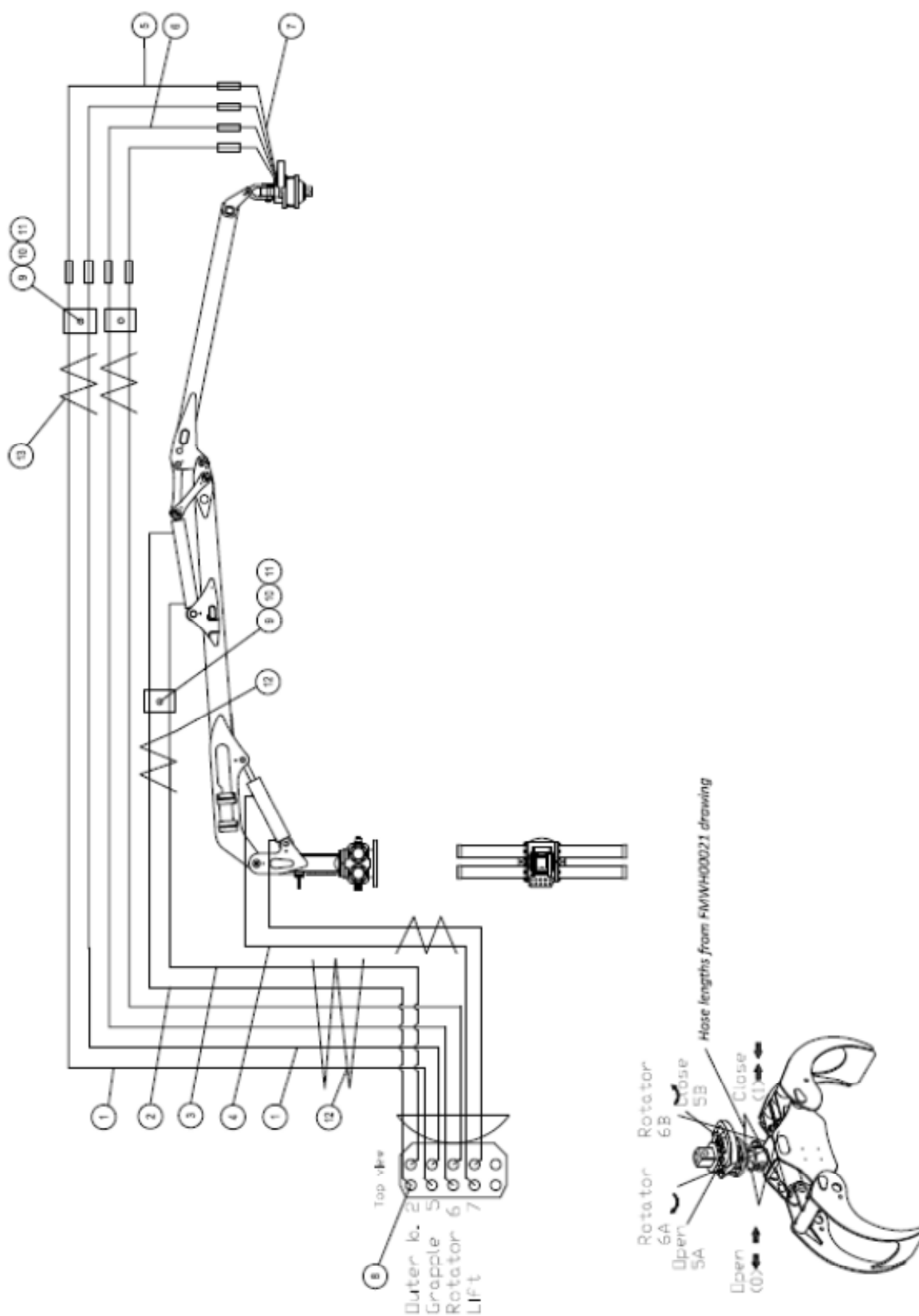


REF: 151211

Outerboom C6,3 ASM, FMWA00165
REF:151211

ITEM NO.	PART NUMBER	DESCRIPTION	TYPE	QTY.
1	FMWS00156	Telescopic boom	C6.3	1
2	FMWS00157	Outerboom	C6.3	1
3	FMWS00158	Slidepad holder	-	2
4	FMWS00591	Shaft	GrndØ25h9 - 109(100)	1
5	FMWS00625-01	Hose holder	C6.3	1
6	FMWP00612	Glide Plastic	PLT10-90x75/4xd9	1
7	FMWP00612-01	Glide Plastic	PLT8-90x75/4xd9	1
8	FMWP00613	Glide Plastic	5x90x60	2
9	FMWP00614ZN	Pin	GrndØ25 - 134,6	1
10	FMWP00615ZN	Pin	GrndØ25 - 79,6	1
11	FMWP00616	Glide Plastic	6x90x20	4
12	FMWP00618	Pipe holder	PLT6 - 100x30	3
13	FMWP02936	Pipe protecion	100x30 PVC	6
14	FMWP02937	Shim	PLT2 - D45/d25	2
15	FMWP05271	Glide Plastic	PLT10-90x60	2
16	913215	Hydraulic cylinder	40/25-1100	1
	37913215	Sealing kit	Hyd cyl 40/25	1
17	909150	Slide bearing	50x55x40 DIN1494	2
18	930105	Lubricating nipple	1/8" DIN 71412	1
19	911255	Lock ring	SGA 25, DIN 125	4
20	906158	Bolt Hex. Cap	M8x20 fzb DIN 933	8
21	906175	Bolt Hex. Cap	M10x30 DIN 933	6
22	906170	Bolt Hex. Cap	M10x20 fzb DIN 933	4
23	906192	Bolt Hex. Cap	M12x25 fzb DIN 933	1
24	906177	Hex. socket screw	M8x10 DIN 7991	8
25	906156	Bolt Cross	M8x16 fzb DIN 965	8
26	908615	Washer Spring	M8 fzb DIN 127	8
27	908620	Washer Spring	M10 fzb DIN 127	4
28	908221	Washer flat	M8 fzb DIN125	8
29	908225	Washer flat	M10 fzb DIN 125	4
30	907537	Heavy Duty Flat Washer	M12 fzb DIN 7349	1
31	FMWA00289	Hydraulic pipe	ST12x1,5 L=1700	4

1.6 HYDRAULIC SCHEME C5,3



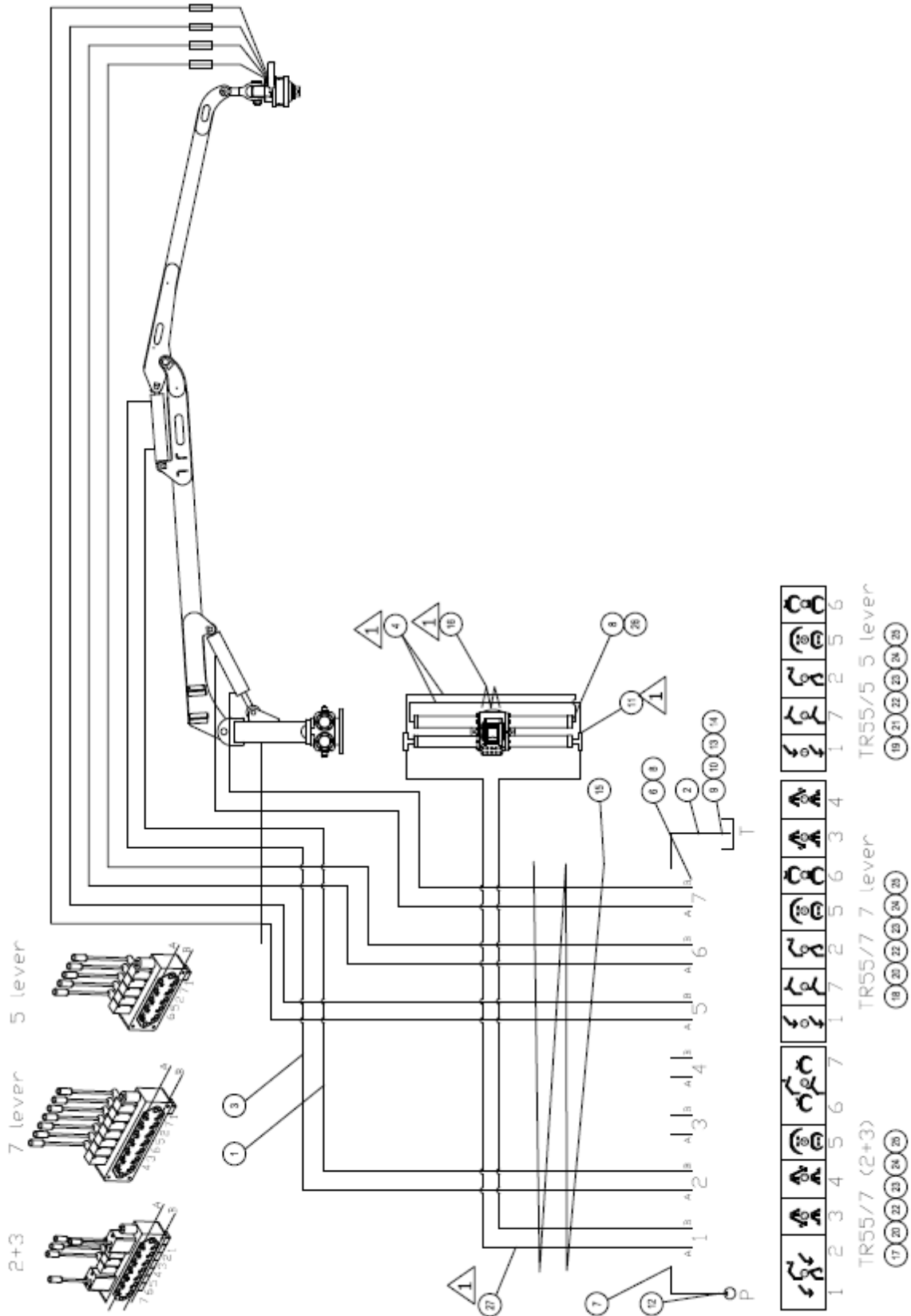
REF: 151211

Hydraulic scheme C5,3, FMWH00022

ITEM NO	PART NO.	DESCRIPTION	TYPE	QTY.
1	FMWH00390	H-hose	42010606-3/8(4340)-42010606	4
2	FMWH00391	H-hose	42010606-3/8(3390)-42010606	1
3	FMWH00392	H-hose	42010606-3/8(3260)-42010606	1
4	FMWH00393	H-hose	42010606-3/8(990)-42010606	2
5	FMWH00394	H-hose	42020606-3/8(2090)-42020606	2
6	FMWH00395	H-hose	42020606-3/8(2040)-42020606	2
7	FMWH00396	H-hose	42020606-3/8(650)-42030606	4
8	914750	Cartridge nipple	7090-06-06; G3/8"MxG3/8"M	8
9	909162	Bolt Hex. Cap	M8x60 DIN 931	3
10	914544	Clip double	5390-43-20	6
11	914546	Cover plate	5394-13-01	3
12	930330	SPIRO PIPE	ø 50x3,5 mm yellow	0,9m
13	930320	SPIRO PIPE	ø 32x3 mm yellow	5,5m

REF: 151211

1.7 HYDRAULIC SCHEME C5,1/C5,3 FOR LEVERS



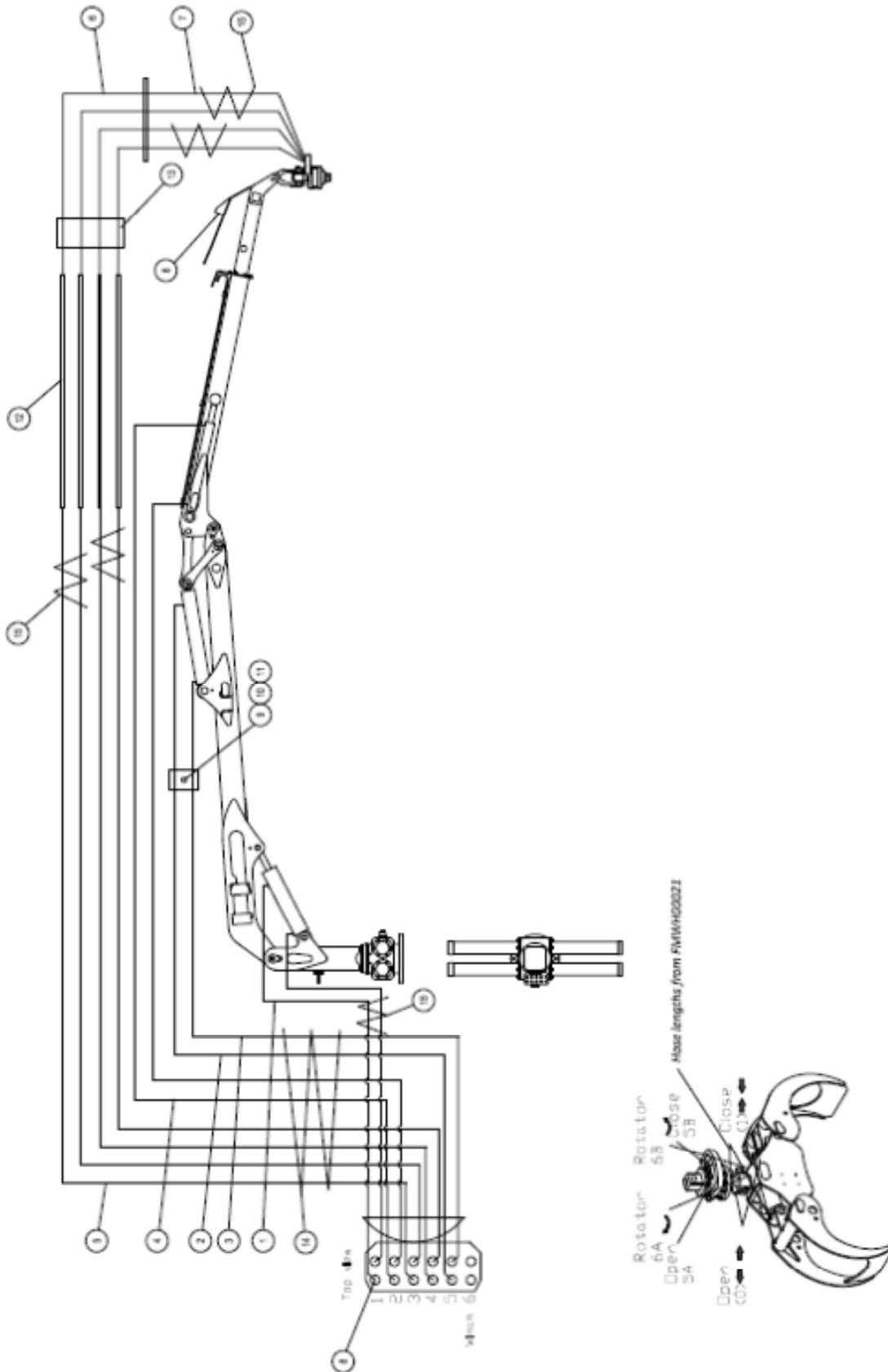
REF: 151211

Hydraulic scheme C5,1/C5,3 for levers, FMWH00020-03/-04/-05

ITEM NO	PART NO.	DESCRIPTION	TYPE	2+3 lev	7 lev	5 lev
				-03	-04	-05
1	FMWH00300	H-hose	42010606-3/8(2400)-42010606	4	4	4
2	FMWH00302	H-hose	42010808-1/2(1500)-42020808	2	2	2
3	FMWH00319	H-hose	42010606-3/8(2350)-42010606	4	4	4
4	FMWH00597	H-hose	42030404-1/4(1280)-42030404	2	2	2
6	914716	Straight nipple	7002-06-06	14	14	10
7	914718	Straight nipple	7002-06-08	2	2	2
8	914582	Rubber seal	5601-01-06	20	20	16
9	914584	Rubber seal	5601-01-08	2	2	2
10	914570	Bayonett male	5550-02-08 M 1/2"	2	2	2
11	914783	T-nipple	7403-04-04 1/4" UFxUFxIRT	2	2	2
12	925032	Lable No2 Pump Red	-	1	1	1
13	925034	Lable No3 Tank Blue	-	1	1	1
14	922227	Heat-shrink tubing	SRIF 25,4-12,7	90 mm	90 mm	90 mm
15	930330	SPIRO PIPE	ø 50x3,5 mm yellow	3 m	3 m	3 m
16	930320	SPIRO PIPE	ø 32x3 mm yellow	1 m	1 m	1 m
17	925295	Label Op. scheme 2+3 handle	A1743	1	-	-
18	925305	Lable Op. scheme 7 handle	A1745	-	1	-
19	925473	Lable Op. scheme 5 handle	A1798	-	-	1
20	FMWS00543	Valve bracket	-	1	1	-
21	FMWS00544	Valve bracket	-	-	-	1
22	909162	Bolt Hex. Cap	M8x60 DIN 931	3	3	3
23	907212	Nut Hex	M8 DIN 934	3	3	3
24	908221	Washer Flat	M8 DIN 125	6	6	6
25	908615	Washer Spring	M8 DIN 127	3	3	3
26	914712	Straight nipple	7002-04-06	4	4	4
27	FMWH00464	H-hose	42010404-1/4(2500)-42030404	2	2	2

REF: 151211

1.8 HYDRAULIC SCHEME C6,3



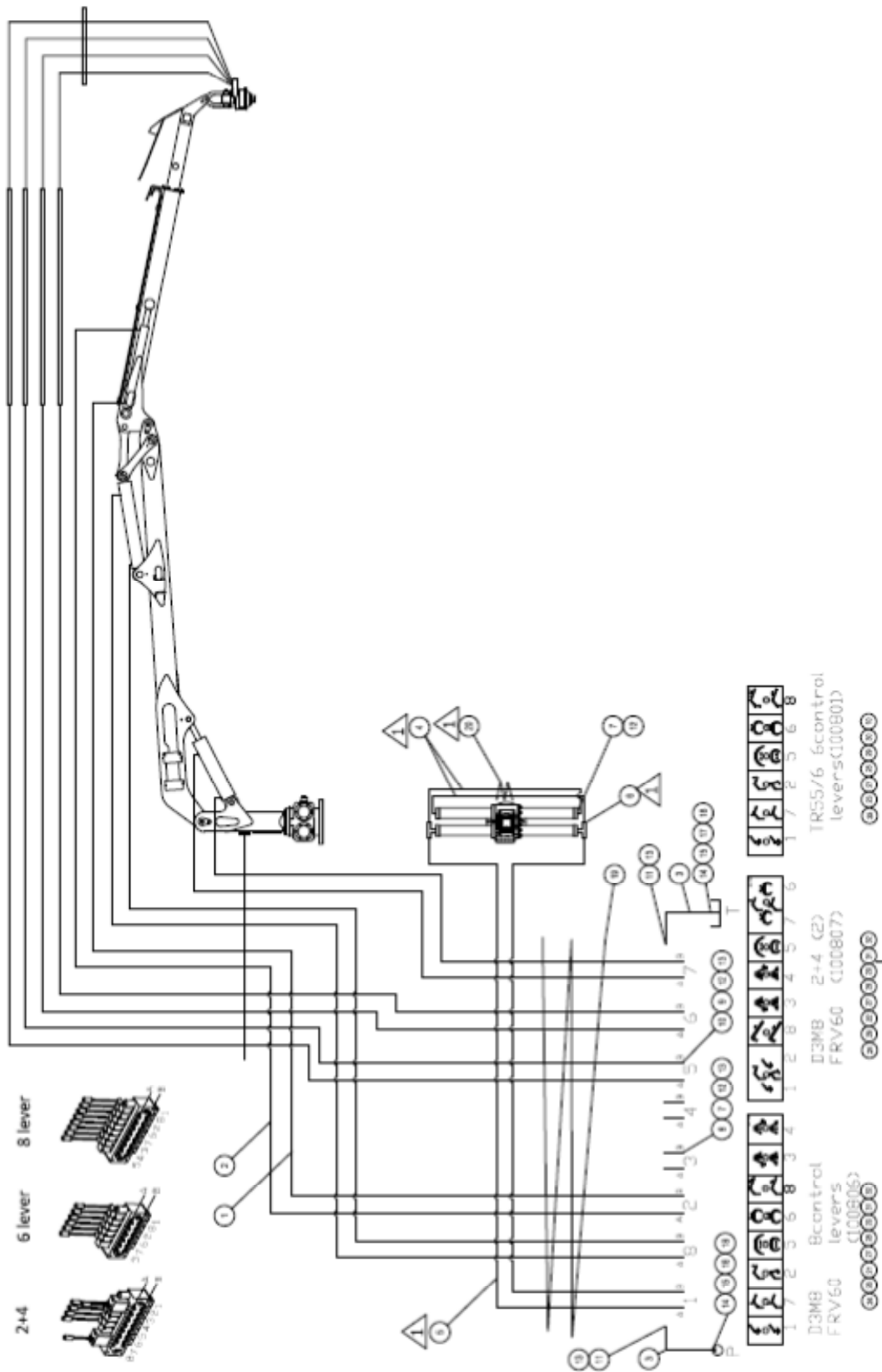
REF: 151211

Hydraulic scheme C6,3, FMWH00017

ITEM NO.	PART NUMBER	DESCRIPTION	TYPE	QTY.
1	FMWH00336	Hose	42010606-3/8(990)-42010606	2
2	FMWH00337	Hose	42010606-3/8(3390)-42010606	1
3	FMWH00338	Hose	42010606-3/8(3260)-42010606	1
4	FMWH00339	Hose	42010606-3/8(4160)-42010606	2
5	FMWH00340	Hose	42010606-3/8(4440)-42010606	4
6	FMWH00341	Hose	42010606-3/8(1750)-42010606	4
7	FMWH00342	Hose	42010606-3/8(1080)-42030606	4
8	914750	Cartridge nipple	7090-06-06; G3/8"Mx3/8"M	14
9	909162	Bolt Hex. Cap	M8x60 DIN 931	1
10	914544	Clip double	5390-43-20	2
11	914546	Cover plate	5394-13-01	1
12	FMWA00289	Hydraulic pipe	STØ12x1,5-1700	4
13	914630	PVC water hose	1405-00-48; 75mm	1750 mm
14	930330	SPIRO PIPE	Ø 50x3,5 mm yellow	0,9 m
15	930320	SPIRO PIPE	Ø 32x3 mm yellow	5,9 m

REF: 151211

1.9 HYDRAULIC SCHEME C6,3, FOR LEVERS



REF:151211

Hydraulic schemes C6,0/C6,3 FMWH00017-01/-02/-03 for levers

				8 lev	2+4 lev	6 lev
ITEM NO	PART NO.	DESCRIPTION	TYPE	-01	-02	-03
1	FMWH00300	H-hose	42010606-3/8(2400)-42010606	5	5	5
2	FMWH00319	H-hose	42010606-3/8(2350)-42010606	5	5	5
3	FMWH00302	H-hose	42010808-1/2(1500)-42020808	2	2	2
4	FMWH00597	H-hose	42030404-1/4(1280)-42030404	2	2	2
5	FMWH00464	H-hose	42010404-1/4(2500)-42030404	2	2	2
6	914783	T-nipple	7403-04-04 1/4" UFxUFxIRT	2	2	2
7	914712	Straight nipple	7002-04-06; G3/8"xG1/4"	4	4	16
8	914714	Straight nipple	7002-04-08; G1/2"xG1/4"	6	6	-
10	914718	Straight nipple	7002-06-08; G1/2"xG3/8"	10	10	2
11	914720	Straight nipple	7002-08-08; G1/2"xG1/2"	2	2	-
12	914582	Rubber seal	5601-01-06; G3/8"	4	4	18
13	914584	Rubber seal	5601-01-08	18	18	-
14	914570	Bayonett male	5550-02-08 M 1/2"	2	2	2
15	914579	Dust cover	5550-04-08; 1/2" F Black	2	2	2
16	925032	Lable No2 Pump Red	-	1	1	1
17	925034	Lable No3 Tank Blue	-	1	1	1
18	922227	Heat-shrink tubing	SRIF 25,4-12,7	90 mm	90 mm	90 mm
19	930330	SPIRO PIPE	ø 50x3,5 mm yellow	2 m	2 m	2 m
20	930320	SPIRO PIPE	ø 32x3 mm yellow	1 m	1 m	1 m
21	925474	Label Op. scheme	A1799	1	-	-
22	925300	Label Op. scheme	A1744	-	1	-
23	925472	Label Op. scheme	A1797	-	-	1
24	FMWS00540	Valve bracket	-	1	1	-
25	FMWS00544	Valve bracket	-	-	-	1
27	907212	Nut Hex	M8 DIN 934	3	3	3
28	908221	Washer Flat	M8 DIN 125	6	6	6
29	908615	Washer Spring	M8 DIN 127	3	3	3
30	909162	Bolt Hex. Cap	M8x60 DIN 931	-	-	3
31	906163	Bolt Hex. Cap	M8x30 DIN 933	3	3	-

REF:151211

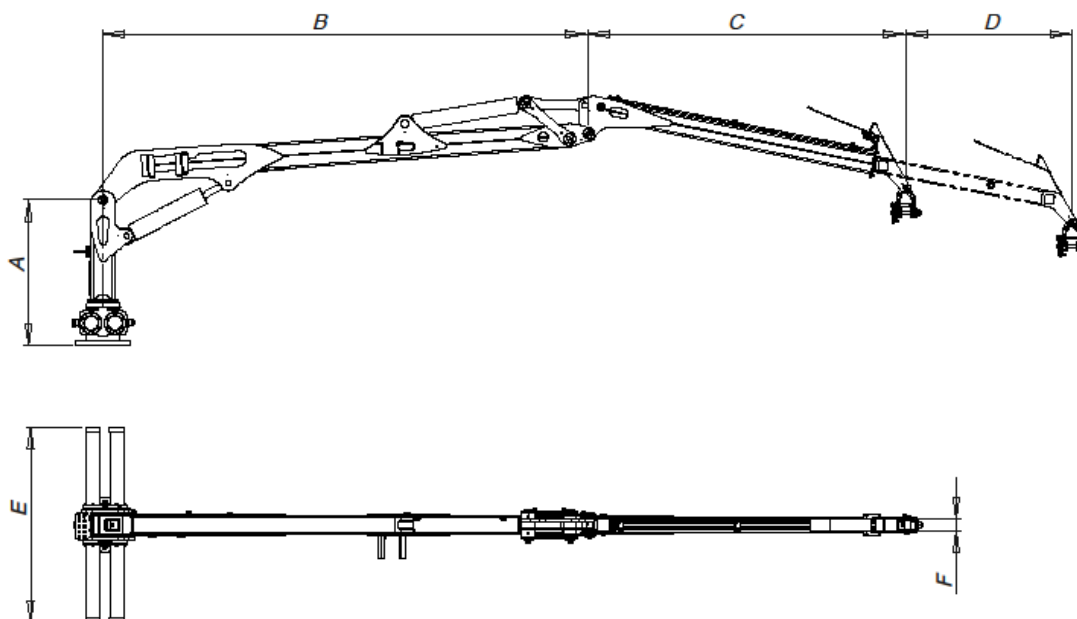
Hydraulic schemes C6,0/C6,3 FMWH00017-04/-05 for levers

				8 lev	2+4 lev
ITEM NO	PART NO.	DESCRIPTION	TYPE	-04	-05
1	FMWH00300	H-hose	42010606-3/8(2400)-42010606	5	5
2	FMWH00319	H-hose	42010606-3/8(2350)-42010606	5	5
3	FMWH00302	H-hose	42010808-1/2(1500)-42020808	2	2
4	FMWH00597	H-hose	42030404-1/4(1280)-42030404	2	2
5	FMWH00464	H-hose	42010404-1/4(2500)-42030404	2	2
6	914783	T-nipple	7403-04-04 1/4" UFXUFXIRT	2	2
7	914712	Straight nipple	7002-04-06; G3/8"xG1/4"	10	10
9	914716	Straight nipple	7002-06-06; G3/8"xG3/8"	10	10
11	914720	Straight nipple	7002-08-08; G1/2"xG1/2"	2	2
12	914582	Rubber seal	5601-01-06; G3/8"	20	20
13	914584	Rubber seal	5601-01-08	4	4
14	914570	Bayonett male	5550-02-08 M 1/2"	2	2
15	914579	Dust cover	5550-04-08; 1/2" F Black	2	2
16	925032	Lable No2 Pump Red	-	1	1
17	925034	Lable No3 Tank Blue	-	1	1
18	922227	Heat-shrink tubing	SRIF 25,4-12,7	90 mm	90 mm
19	930330	SPIRO PIPE	ø 50x3,5 mm yellow	2 m	2 m
20	930320	SPIRO PIPE	ø 32x3 mm yellow	1 m	1 m
21	925474	Label Op. scheme	A1799	1	-
22	925300	Label Op. scheme	A1744	-	1
26	FMWS00762	Valve bracket	-	1	1
27	907212	Nut Hex	M8 DIN 934	3	3
28	908221	Washer Flat	M8 DIN 125	6	6
29	908615	Washer Spring	M8 DIN 127	3	3
32	906524	Bolt Hex. Cap	M8x70 DIN 931	3	3

REF:151211

2 TECHNICAL SPECIFICATIONS

2.1 MAIN PARTS & DIMENSIONS



Picture: Boom system with boom extension

ITEM	DESCRIPTION
A	Turnhouse
B	Main boom
C	Outerboom
D	Telescopic boom extension

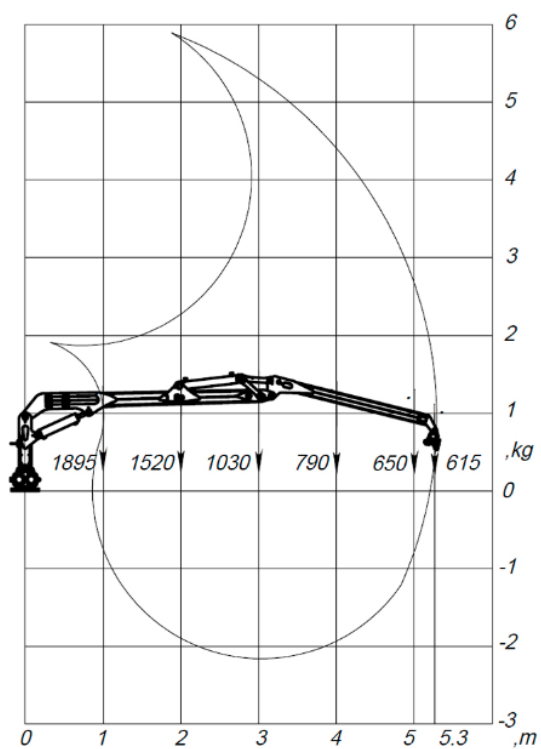
ITEM	DIMENSIONS (mm)	
	C5,3 G2	C6,3 G2
A	945	945
B	3160	3160
C	2120	2060
D	-	1100
E	1265	1265
F	60	80

2.2 TECHNICAL DATA

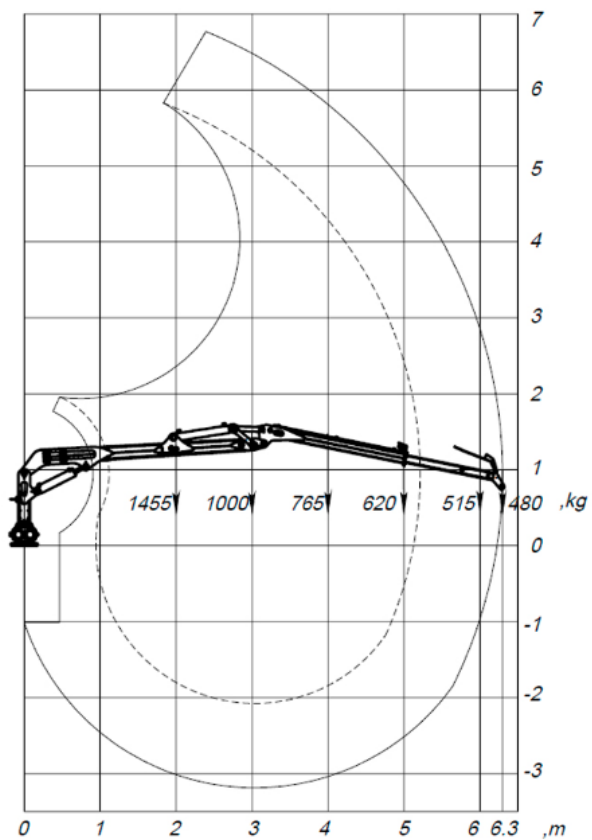
FOREST CRANE	C5,3 G2	C6,3 G2
Lifting capacity net (kNm)	32	28
Slewing torque (kNm)	10	8,8
Slewing angle (degrees)	360	360
Reach (m)	5,3	6,3
Telescopic stroke length (m)	-	1,1
Recommended flow (l/min)	20 - 50	20 - 50
Working pressure (bar)	190	175
Weight of loader (kg) • excl. grapple, rotator, link	485	535
Weight (kg) • incl. FG 0.12, rotator, link	555	-
Weight (kg) • incl. FG 0.16, rotator, link	580	630
Weight (kg) • incl. FG 0.20, rotator, link	620	670
Lifting force (kg) /max reach • excl. grapple, rotator, link	565	480

REF: from WEB 190320

2.3 LIFTING DIAGRAM C5,3



2.4 LIFTING DIAGRAM C6,3



3 EC-DECLARATION OF CONFORMITY (SAMPLE)

EC Declaration of Conformity of the Machinery

Manufacturer:

Fors MW AS

Tule 30

76505 Saue

Estonia

The technical file is compiled by **CEO**;

I hereby confirm that this equipment, **FARMA forestry crane C5,3/C6,3**:

Trade mark: **FARMA**

Function: **Forestry crane**

Model: **C5,3/C6,3**

Type: **FL** variant: **C5,3/C6,3** version: **G2**

Serial no.: **FL0053xxxxxxxx/FL0063xxxxxxxx**

Trade name: **FARMA C5,3/C6,3**

Manufacture year: **xxxxx**

is manufactured accordingly to demands in **directive 2006/42/EC** and therefore can be used mounted together with other equipment to provide a complete machine.

The equipment can't be used before the machine or the formation that it will take place in, is accordingly to the demands of the EC Machinery directive.

For the guarantee and safety, it is of uttermost significance that the instruction book is read before the machine is put into service.

Saue, Estonia

2019-04-09

Sign

CEO